



WheelAble

Be Spontaneous

Commode
&
Shower chair



User Manual

TABLE OF CONTENTS

GENERAL	1
Introduction.....	1
Scope of delivery	1
Intended use.....	1
Expected lifetime.....	1
warranty	1
SPARE PARTS ORDERS, COMPLAINTS.....	2
SAFETY.....	2
Intended use.....	2
Warnings	2
<i>Danger of slipping!</i>	2
<i>Danger of tipping over!</i>	2
<i>Danger of breakage!</i>	3
<i>Danger of falling!</i>	3
<i>Danger of pinching!</i>	3
<i>Danger of being Run Over</i>	3
Accessories warnings.....	3
<i>Removable Pan</i>	3
<i>Upholstered Seat</i>	3
<i>Carrying Case</i>	4
Symbols	5
PRODUCT SPECIFICATIONS	6
Dimensions	6
Technical specifications.....	6
ASSEMBLY	8
FOLDING	13
ACCESSORIES	17
Accessories - Removable Pan	17
Inserting the Removable Pan	18
Accessories- Upholstered Seat	19
ACCESSORIES- CARRYING CASE.....	20
CLEANING AND MAINTENANCE	21
WARRANTY	22
WARNINGS FOR USE.....	23
USER QUESTIONNAIRE.....	24

<https://www.youtube.com/channel/UCtY6EiKirBF4pies-qUvgkg>



Please read this user manual before using the commode and shower chair for the first time, and keep it at hand for future reference.

GENERAL

INTRODUCTION

In this user manual you will find information and advice for using, operating and maintaining the commode and shower chair.

SCOPE OF DELIVERY

The product has been carefully inspected in the factory for defects and completeness. After you receive it, carefully check the product for possible damage during transport and for completeness.

INTENDED USE

The commode and shower chair is designed for homecare and out-user purposes. The commode and shower chair is to be used exclusively for assistance during showering or bathing, using a toilet, or for transfer of persons inside buildings. The commode and shower chair is not designed for long periods of sitting.



Store the commode and shower chair in dry conditions only!

Ambient temperature: 0 – 40°C (104°F)

Relative humidity: 30% - 70%

EXPECTED LIFETIME

The expected lifetime of the commode and shower chair when properly used and maintained is up to 4 years.

WARRANTY

There is a 2-year warranty on the commode and shower chair. The warranty is conditional on use in accordance with the requirements outlined in this document, as well as regular maintenance. All rubber parts are excluded. Not observing the user manual instructions, improper maintenance, and unauthorized modifications to the product without the manufacturer's prior written permission will automatically result in the immediate termination of liability and void the product warranty.

SPARE PARTS ORDERS, COMPLAINTS

To ensure delivery of correct spare part and fast processing of complaints, always provide the product name, serial number (SN) and the product's year of manufacture when ordering spare parts and in case of complaints. You can find this information on the commode and shower chair's nameplate.

SAFETY

When using the commode and shower chair, the following safety rules must be observed:

INTENDED USE

- The commode and shower chair is intended for use in the toilet and shower and/or for passing through narrow aisles only. The commode and shower chair may not be used for any other purposes.
- The product is not intended to be an alternative for a regular commode and shower chair on a daily basis, nor for continuous seating.
- The commode and shower chair is intended for the sole use of individuals who are medically or physically in need of using it.
- The commode and shower chair is intended to be used indoors only.
- Users who do not have complete physical control should not use the commode and shower chair unsupervised.

WARNINGS

DANGER OF SLIPPING!

- Before using, verify that the upholstered seat is securely pressed into the seat frame.
- Always lock the rear wheels before using the commode and shower chair, in order to prevent the commode and shower chair from rolling away.
- The user should not sit on the front edge of the upholstered seat or seat cushion. Make sure that the user sits all the way back on the seat.
- Make sure to align the footrest to 180 degrees.

DANGER OF TIPPING OVER!

- The commode and shower chair may be used only when the armrests are locked into position.
- Do not bump into door sills or jambs.
- Do not use on uneven surfaces
- Use the commode and shower chair only indoors, on solid, even, non-slippery surfaces.
- Do not tilt the commode and shower chair backwards.

DANGER OF BREAKAGE!

- Never attempt to carry or lift the commode and shower chair while a user is sitting in it.
- The commode and shower chair is suitable only for transporting persons. Be sure to observe the maximum allowable user body weight (specified on the nameplate)!
- If the commode and shower chair is damaged in any way such as a fall from a height or bumping into something, it is no longer suitable for use. The commode and shower chair may not be used if any external damage signs are visible such as cracks or breakage.
- If the commode and shower chair has changed shape in any significant manner it may no longer be used.

DANGER OF FALLING!

- Sitting down, standing up and moving the user should be supervised by a qualified caregiver, as suitable for the user's health condition.
- Propelling the commode and shower chair on any sloped surface may be done only with the assistance of a caregiver.

DANGER OF PINCHING!

- Avoid holding near the folding mechanism, to avoid body parts or objects getting pinched.

DANGER OF BEING RUN OVER

- Avoid placing feet in the proximity of the chair's wheels, in order to avoid being run over.

ACCESSORIES WARNINGS**REMOVABLE PAN**

- Empty the removable pan immediately after use.
- Clean the pan with soap and water.
- The shelf life of the pan is five years.
- When assembling the removable pan be careful not to pinch your fingers.
- Do not use the pan if you identify a break or a crack in it.
- Do not keep the pan exposed to the sun.











UPHOLSTERED SEAT

- Maximum load / weight 130kg.
- Clean the seat with water and soap only.
- Do not use if you identify a break/tear in the seat.
- The shelf life of the seat is 24 months.
- Do not keep the seat exposed to the sun.

CARRYING CASE

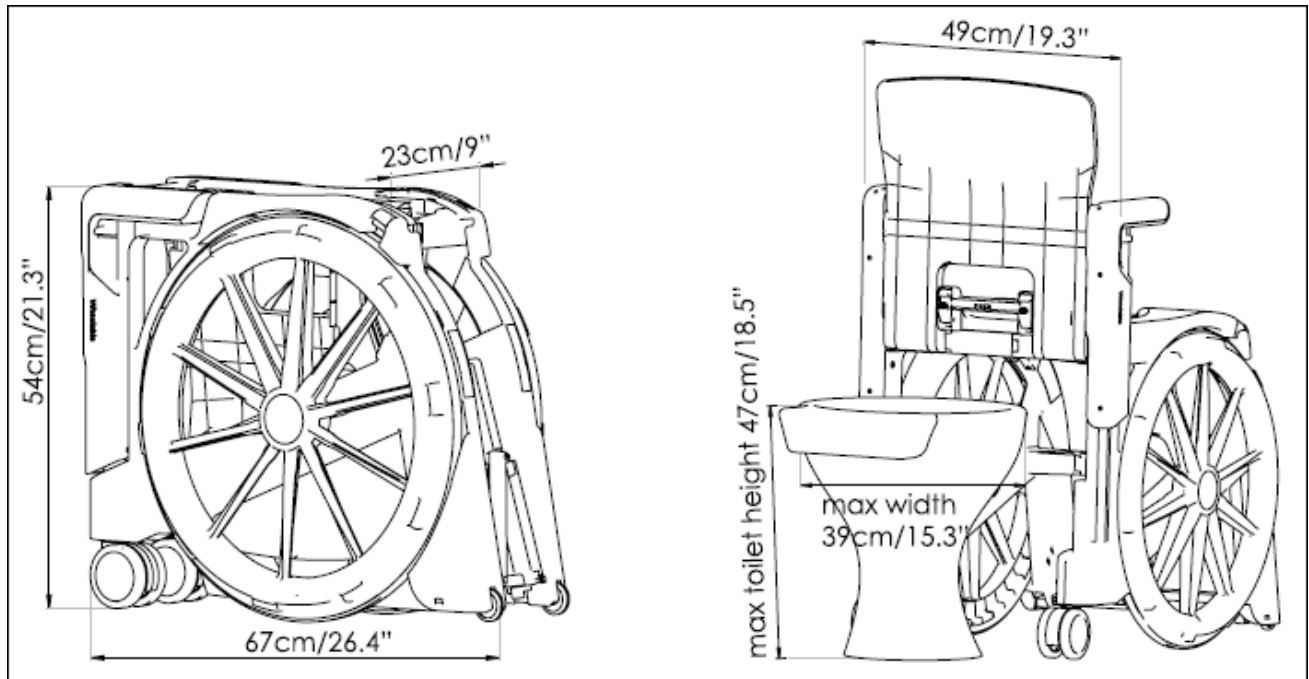
- The carrying case is suitable for use as a carrying case for a foldable wheelable commode and shower chair only.
- Do not keep the carrying case exposed to the sun.
- The shelf life of the carrying case is 24 months.

SYMBOLS

	"Serial Number". This symbol shall be followed by, or appear above the manufacturer's serial number.
	"Manufacturer". This symbol shall be adjacent to the name and address of the manufacturer.
	"Caution! Consult accompanying documents" or "Attention! See instructions for use."
	"Consult instructions for use or consult operating instructions"
	The user's weight must not exceed 130 kg
	"Authorized Representative in the European Community". This symbol shall be adjacent to the name and address of the authorized representative in the European Community. The address is not required on an immediate container unless the immediate container is the outer container.
	This symbol is a mandatory marking for devices entering the European market to indicate conformity with the essential health and safety requirements set out in European Directives. The symbol may be accompanied by a four-digit identification number of the notified body. The vertical dimensions may not be less than 5 mm high.
	"Not for general waste". For European Union States. This symbol should be used to mark devices that are reusable and not contaminated at the end of the device life.
	"Keep away from sunlight"
	The product packaging can be recycled

PRODUCT SPECIFICATIONS

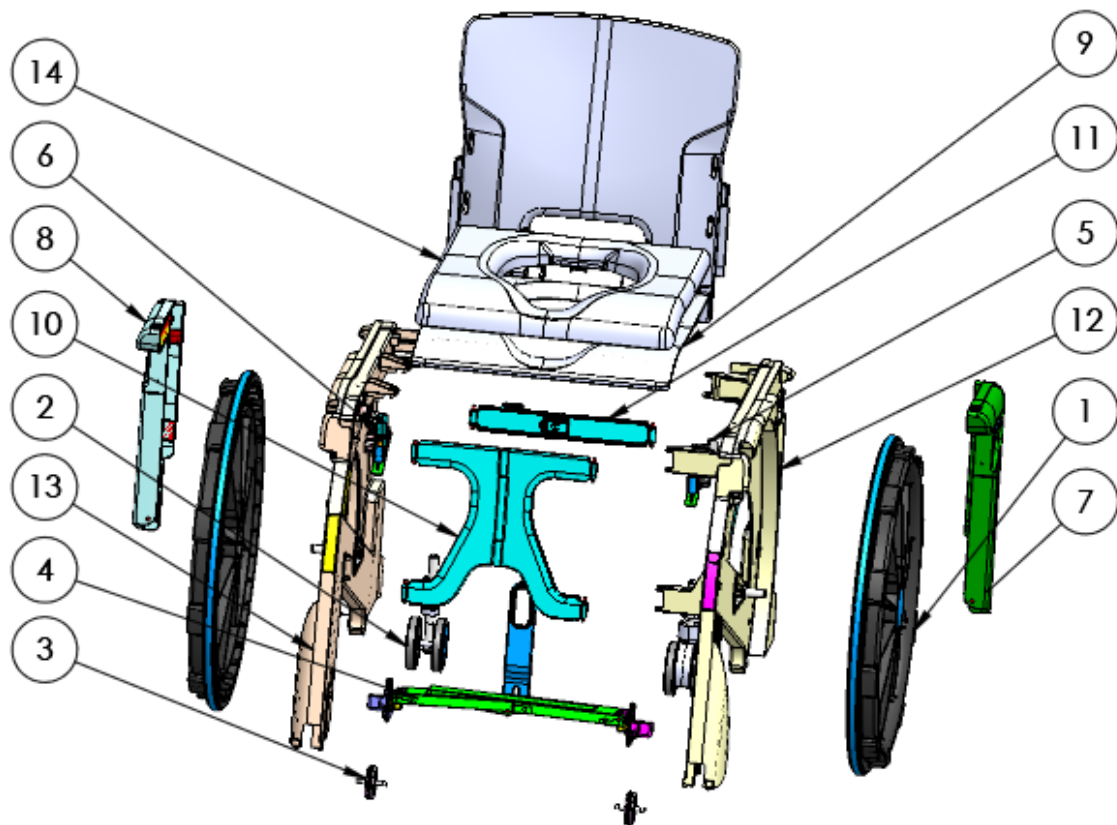
DIMENSIONS



TECHNICAL SPECIFICATIONS

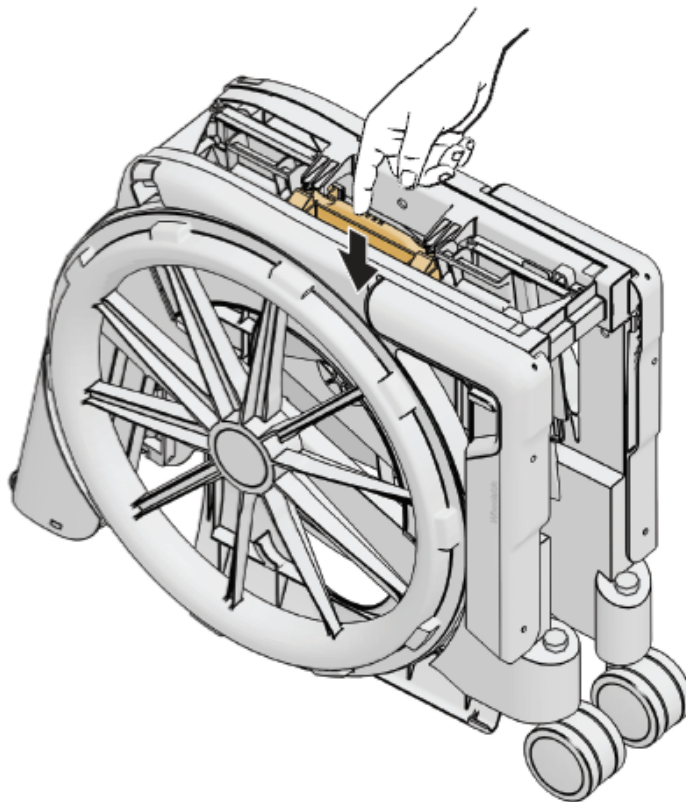
We reserve the right to continue developments and technical improvements with respect to the design shown in this user manual.

ITEM NO.	PART NUMBER	DESCRIPTION	QTY.
1	MR3001-60 Rev-A0	Main Wheel Assembly	2
2	MR3001-61 Rev-A0	Rear Wheel Assembly	2
3	MR3001-62 Rev-A0	Front Wheel Assembly	2
4	MR3001-63 Rev-A0	Foot Board Assembly	1
5	MR3001-64 Rev-A0	Left Stopper Assembly	1
6	MR3001-65 Rev-A0	Right Stopper Assembly	1
7	MR3001-67 Rev-A0	Left Arm Rest Assembly	1
8	MR3001-68 Rev-A0	Right Arm Rest Assembly	1
9	MR3001-69 Rev-A0	Seat Assembly	1
10	MR3001-70 Rev-A0	Front Door Assembly	1
11	MR3001-71 Rev-A0	Rear Door Assembly	1
12	MR3001-72 Rev-A0	Left Wall Assembly	1
13	MR3001-73 Rev-A0	Right Wall Assembly	1
14	MR3001-51 Rev-A0	Open Seat Foam	1

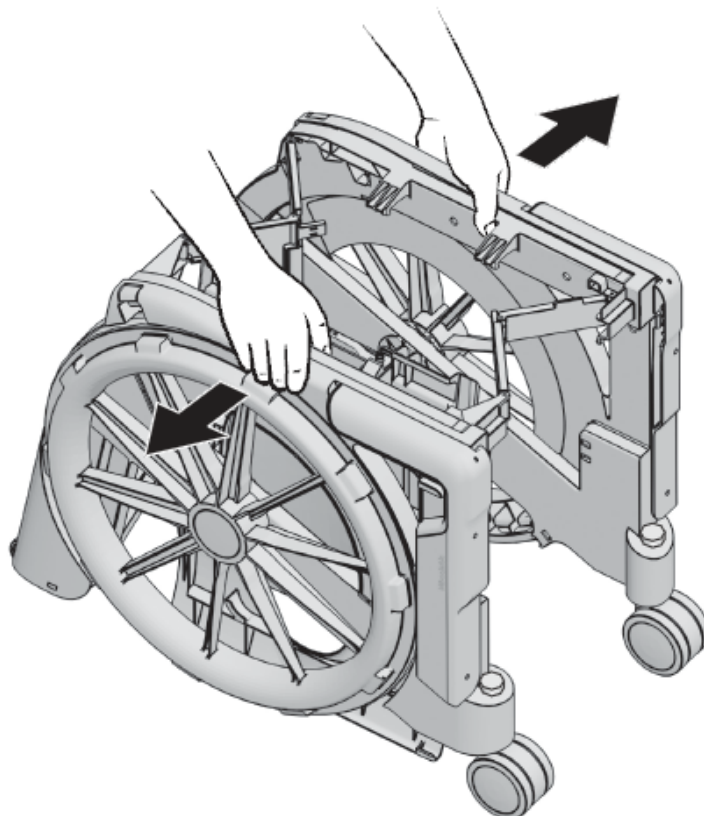


ASSEMBLY

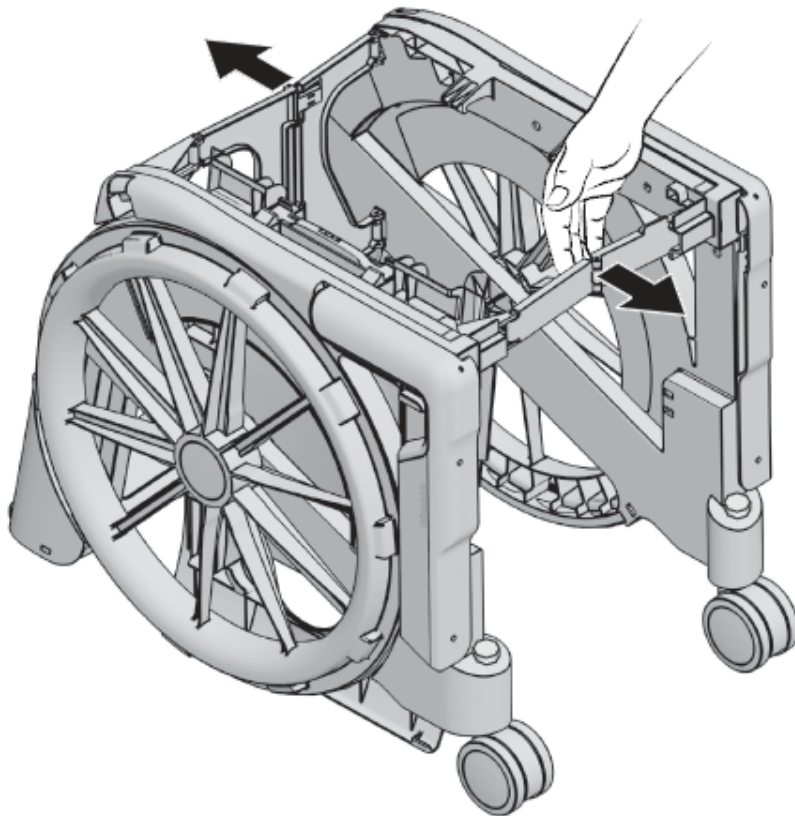
1



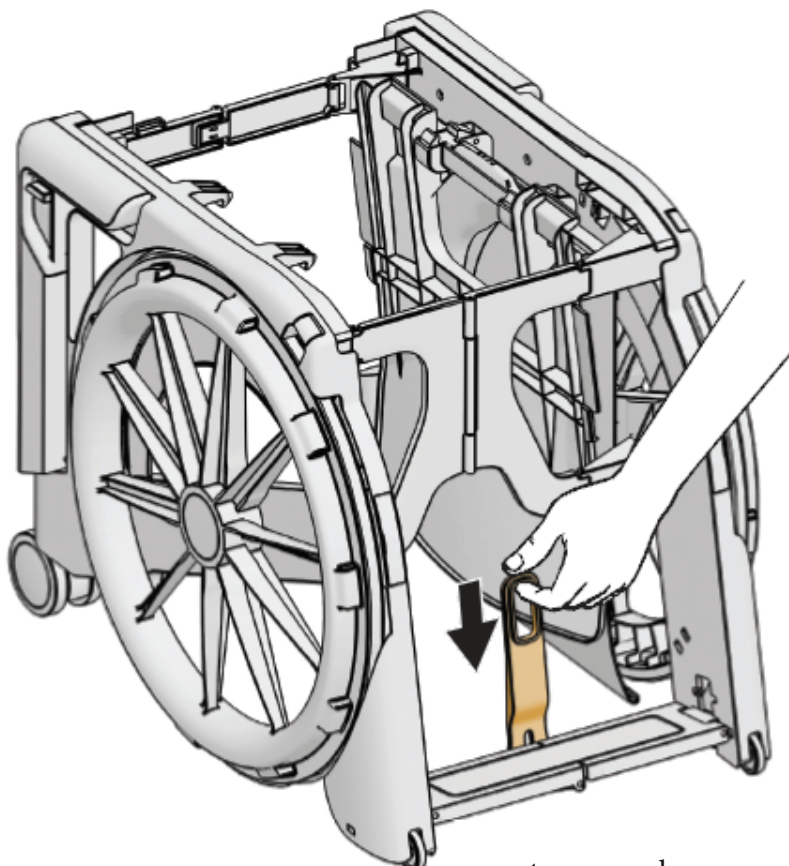
2



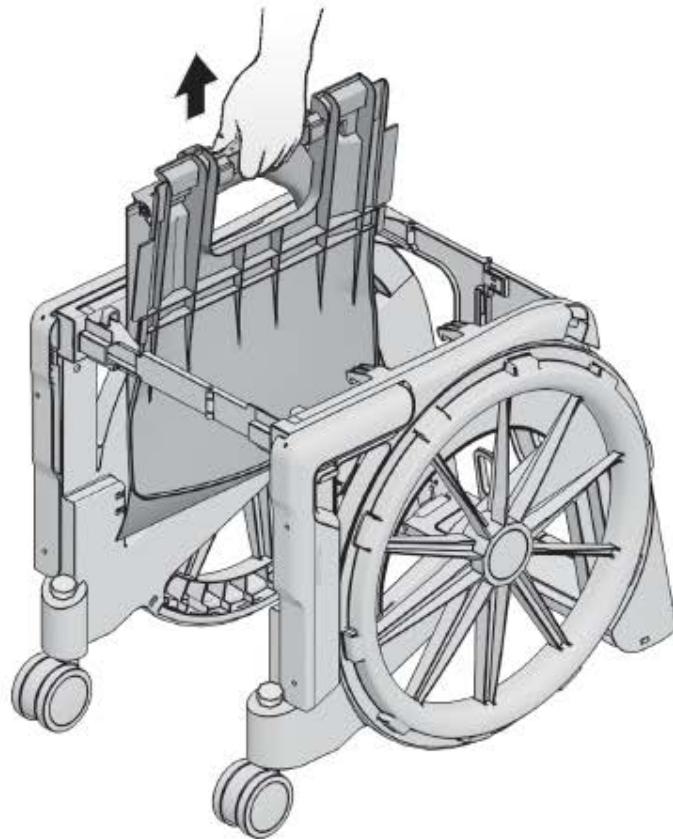
3



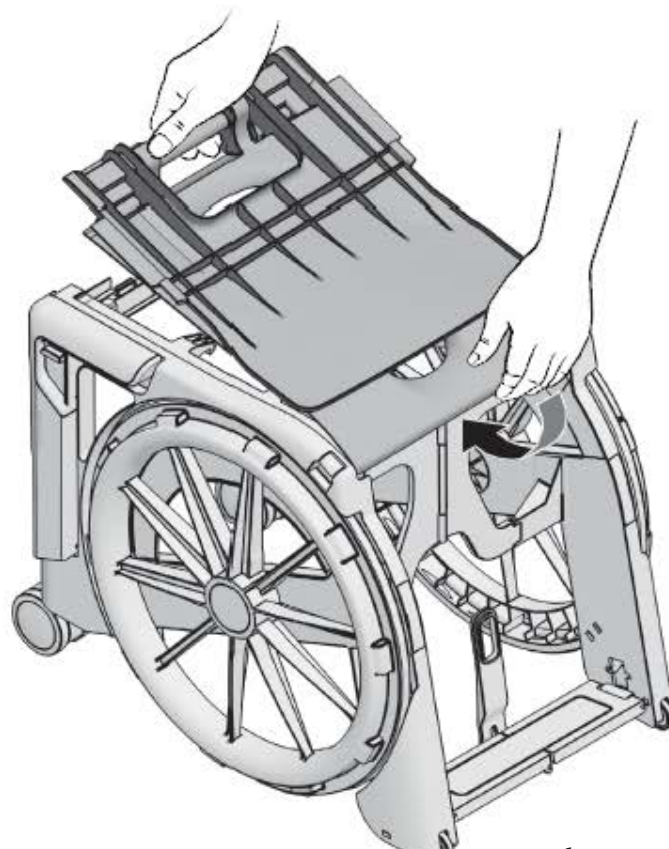
4



5

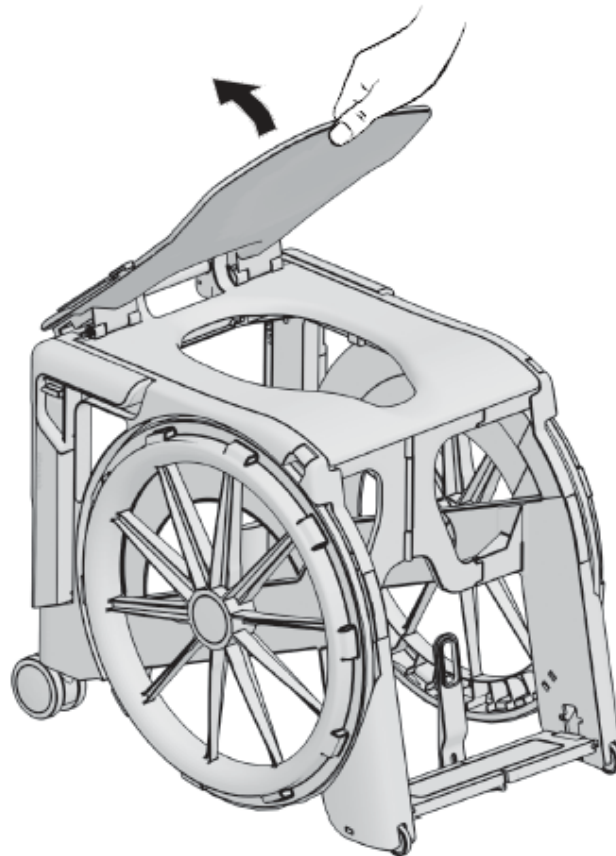


6

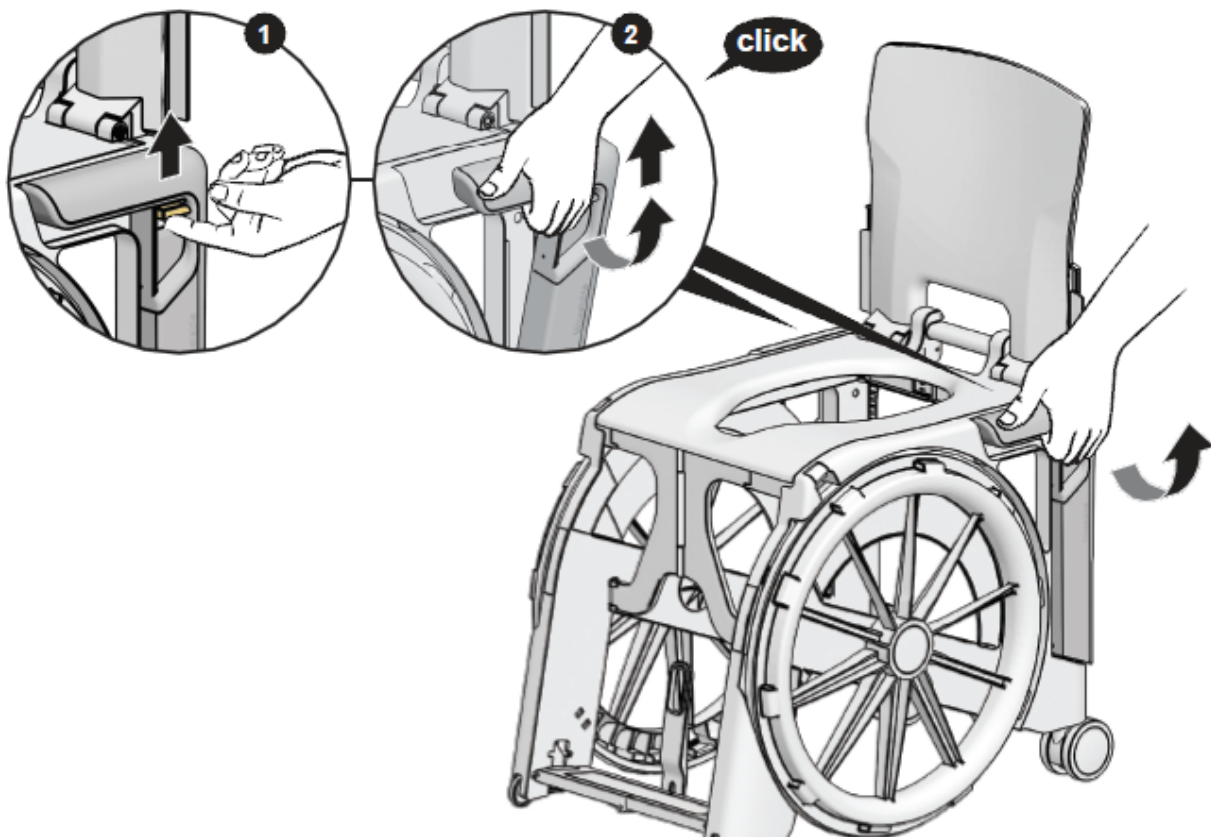


www.easycare systems.co.uk

7

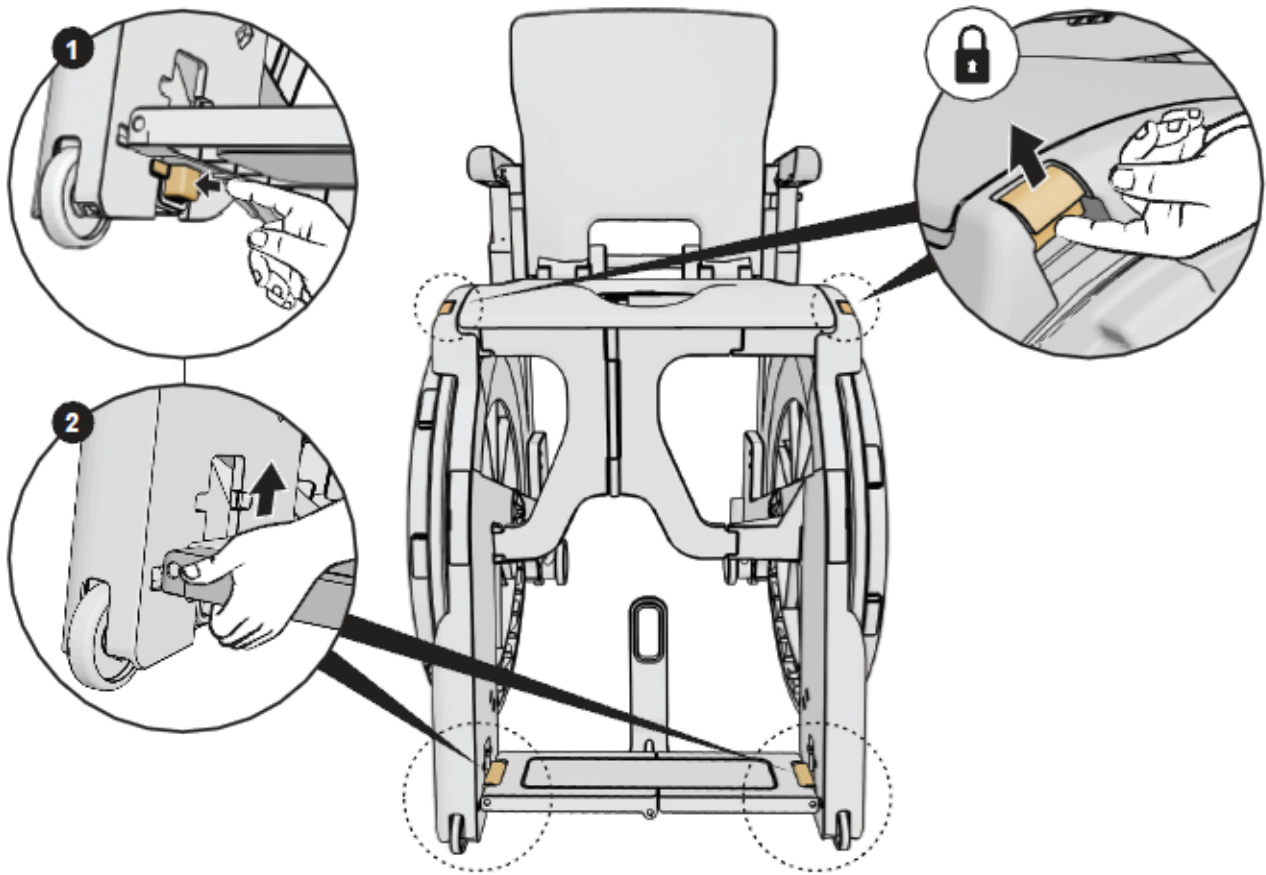


8



www.easycare systems.co.uk

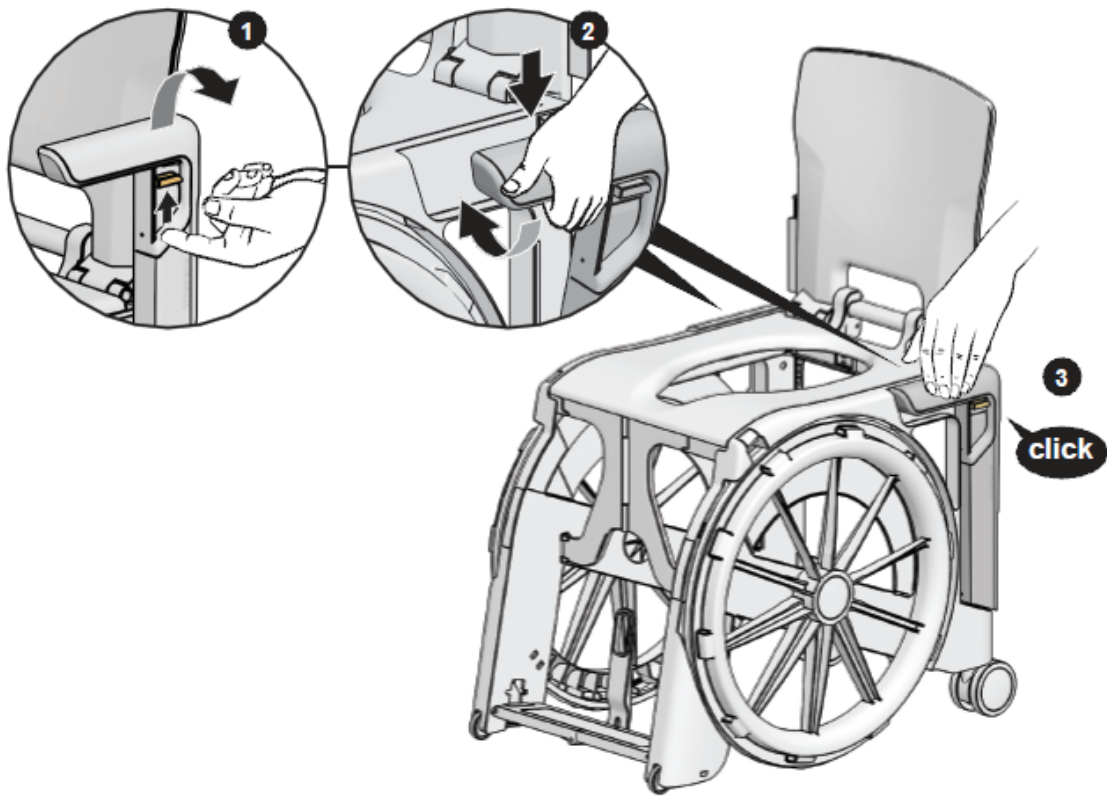
9



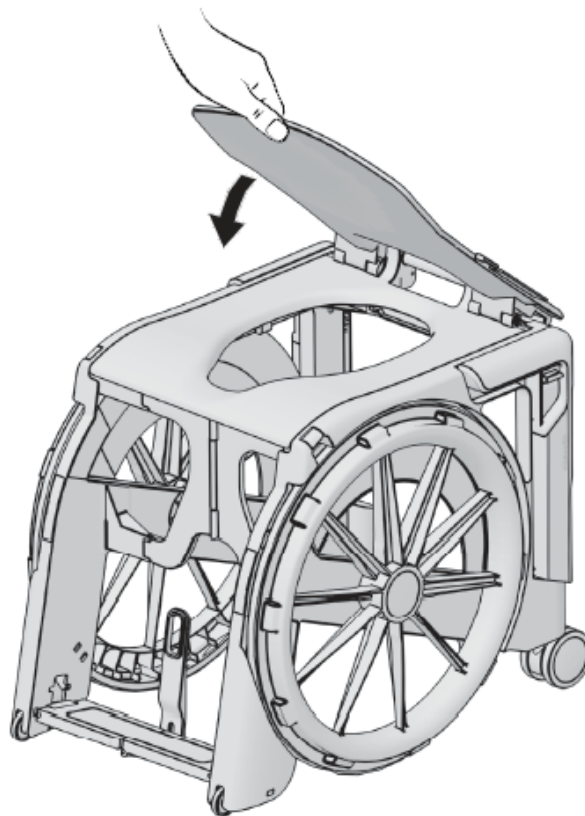
<https://www.youtube.com/channel/UCtY6EiKirBF4pies-qUvgkg>

FOLDING

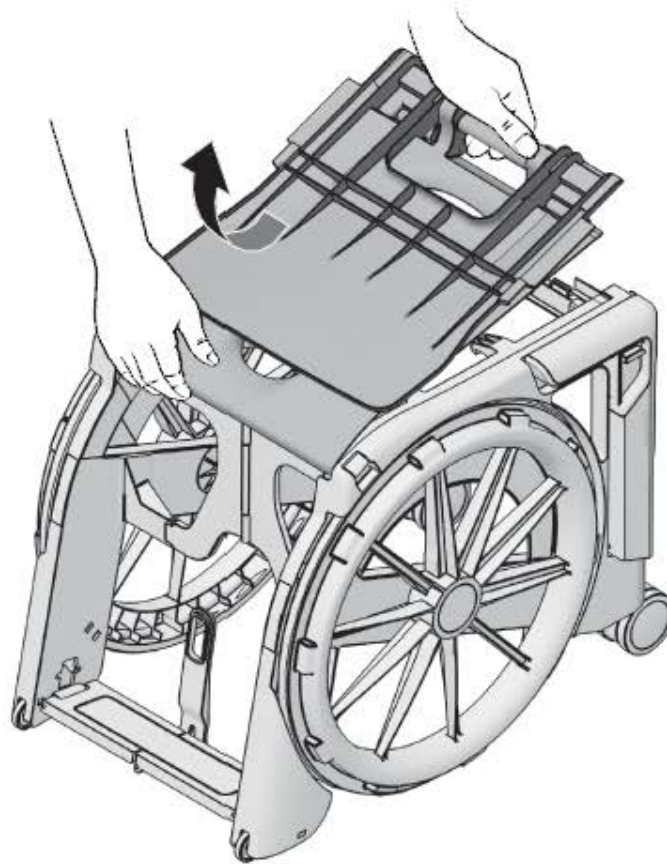
1



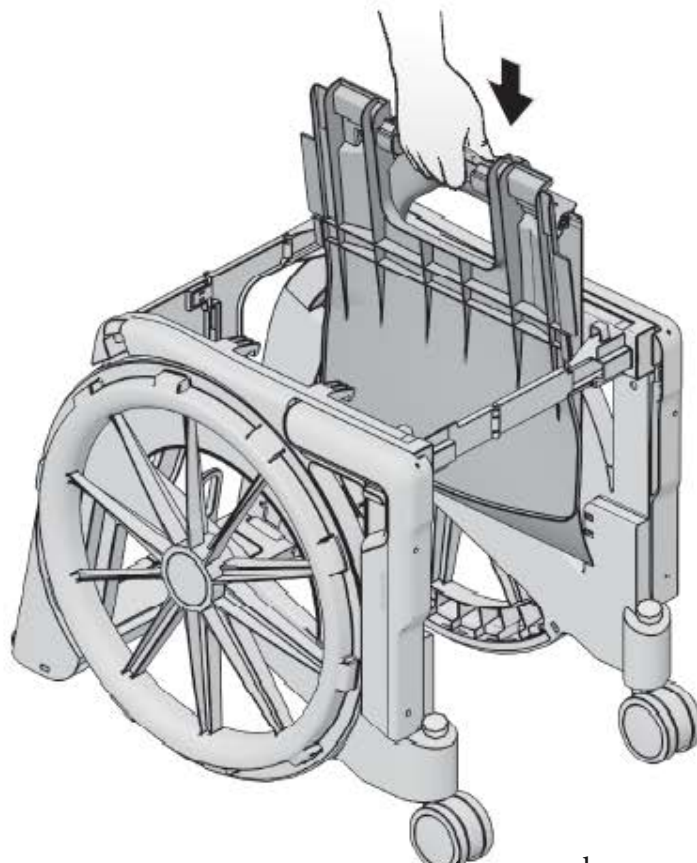
2



3

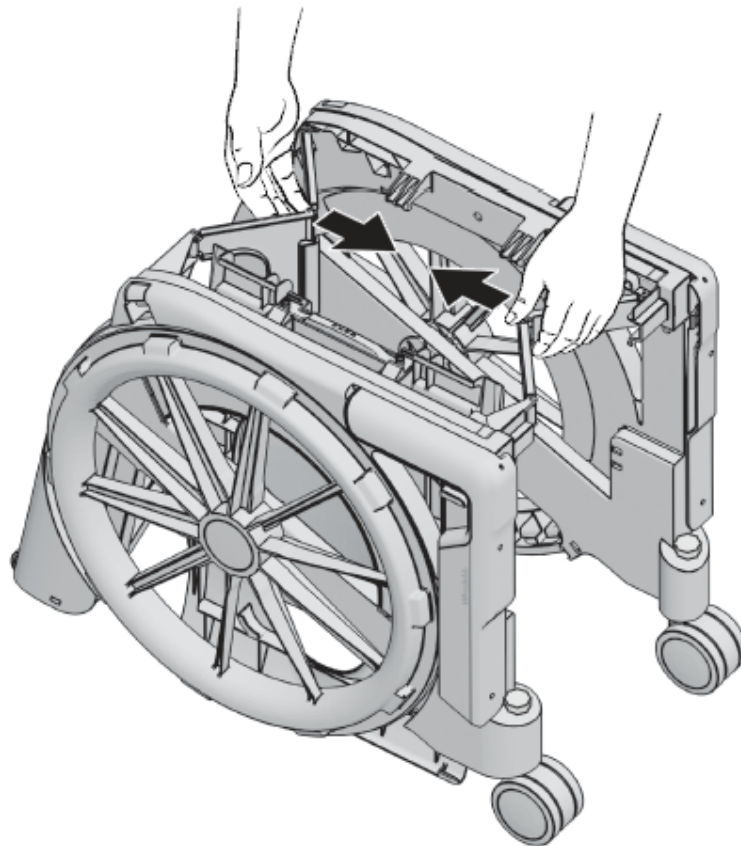


4

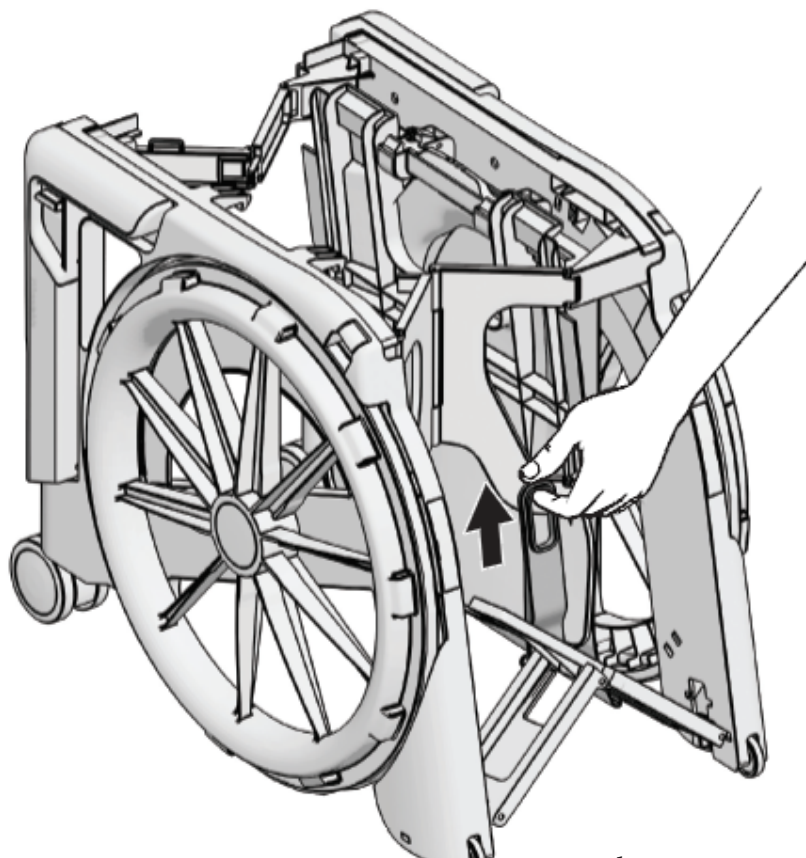


www.easycare systems.co.uk

5

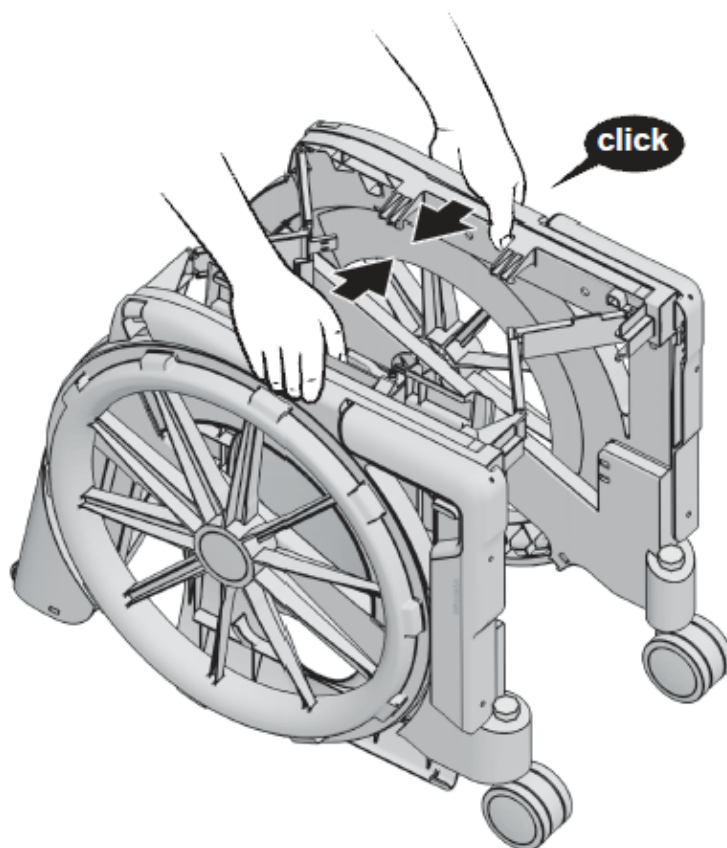


6

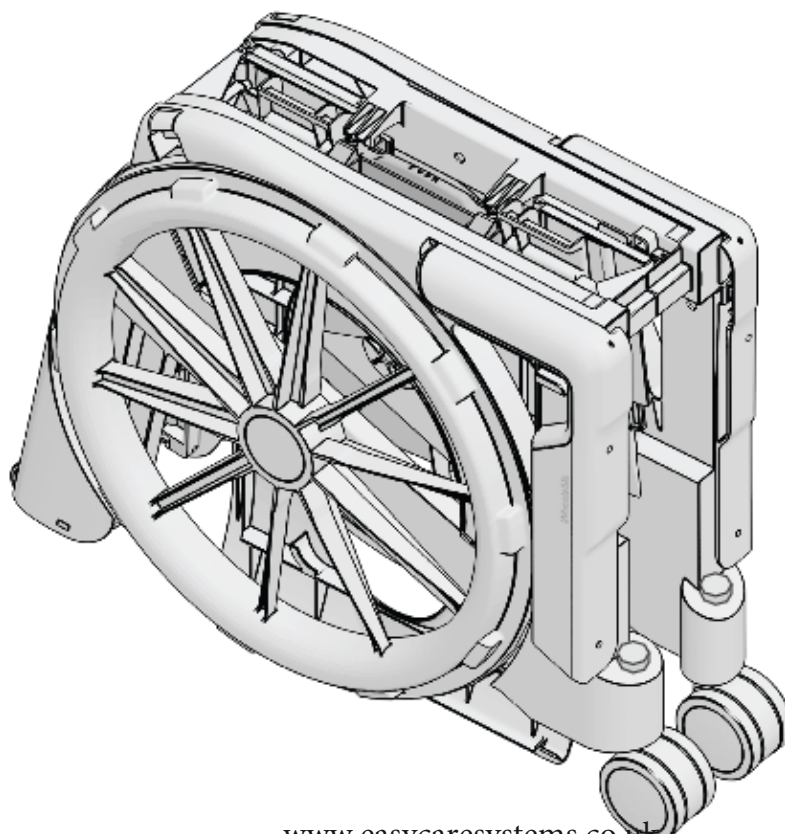


www.easycare systems.co.uk

7



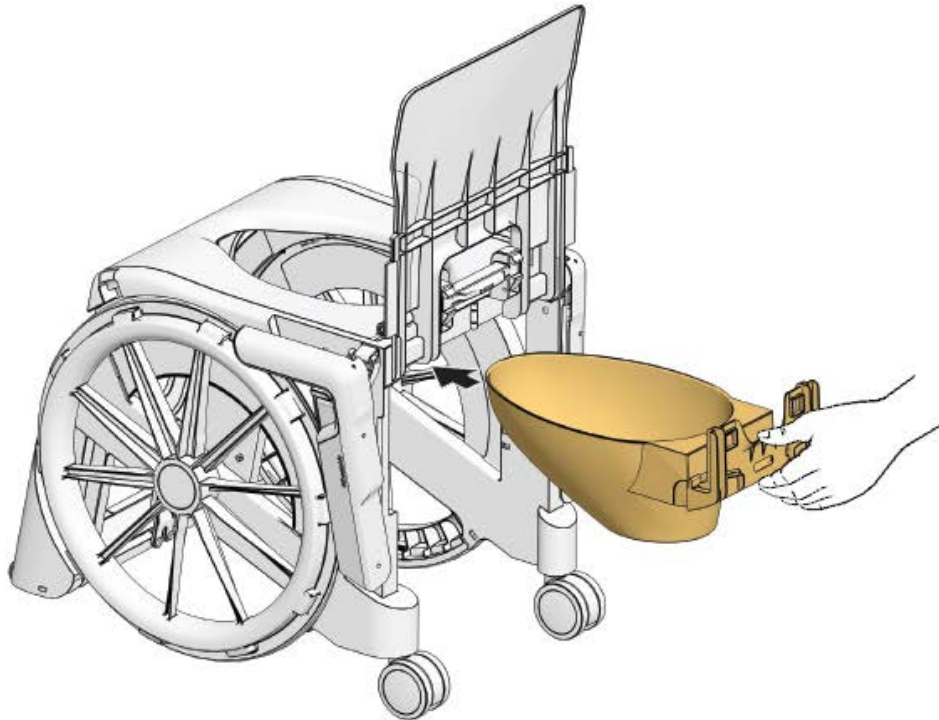
8



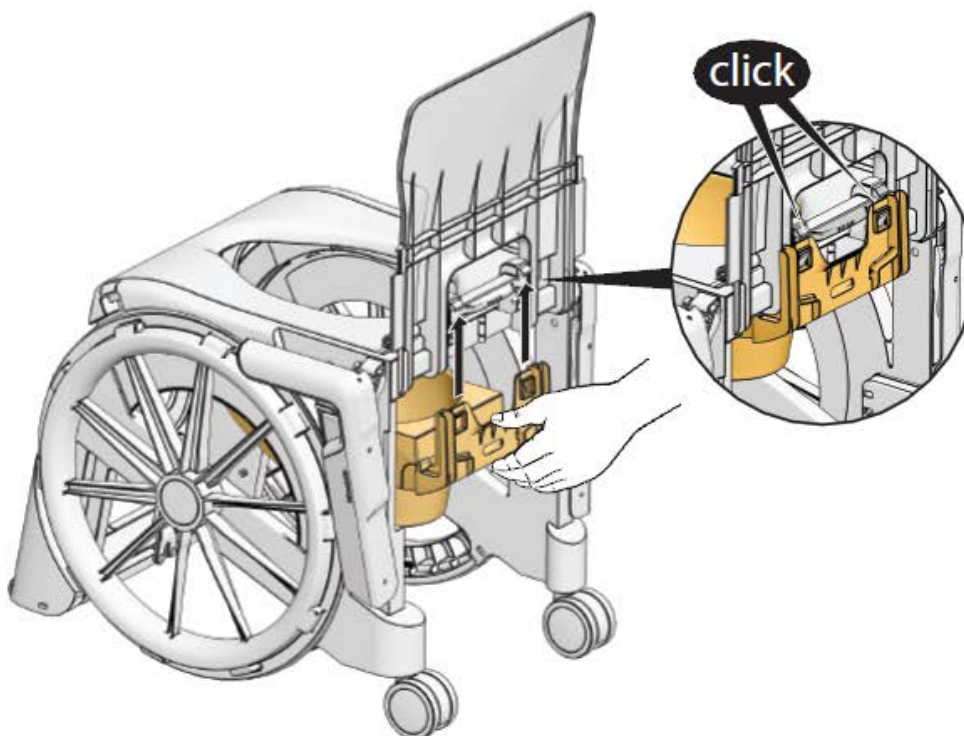
ACCESSORIES

ACCESSORIES - REMOVABLE PAN

1



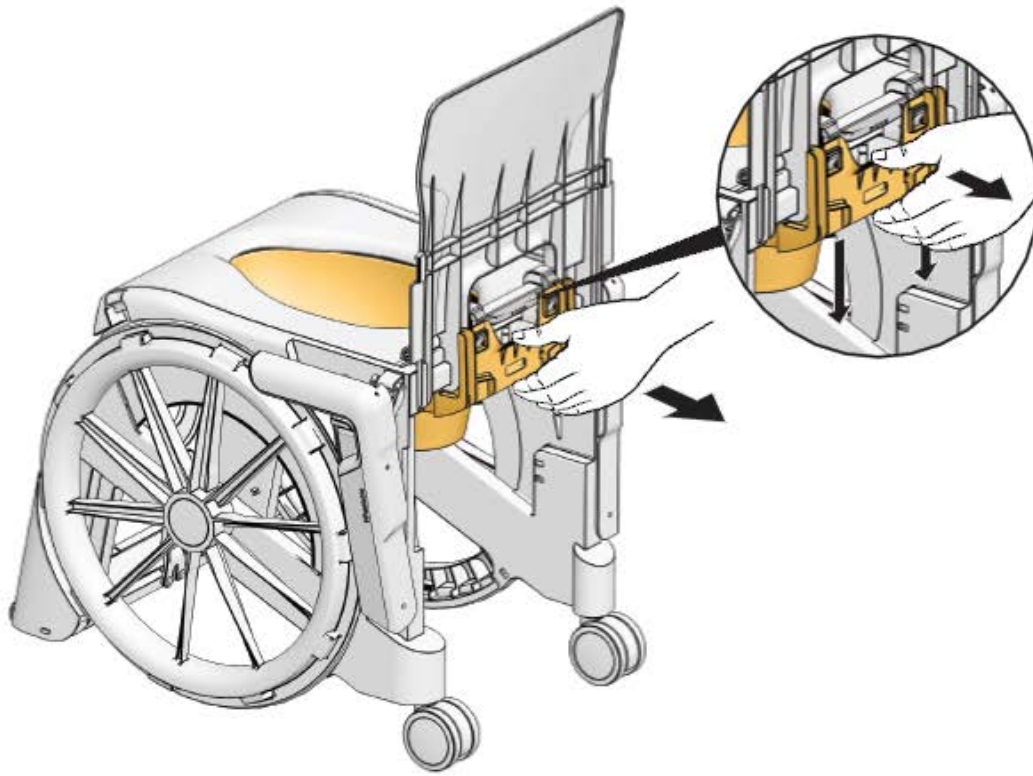
2



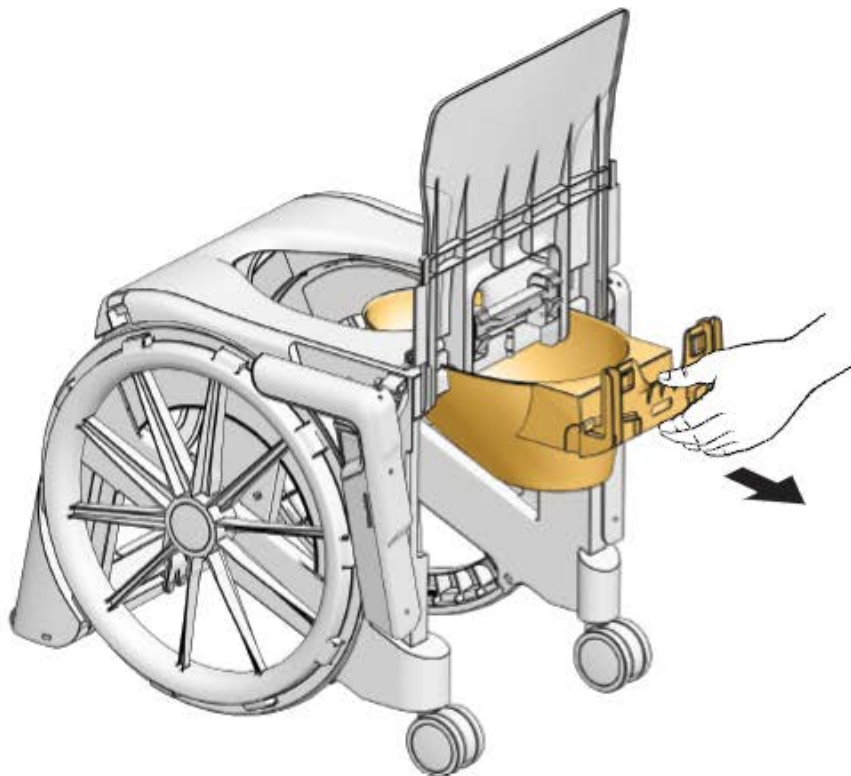
www.easycare systems.co.uk

INSERTING THE REMOVABLE PAN

1

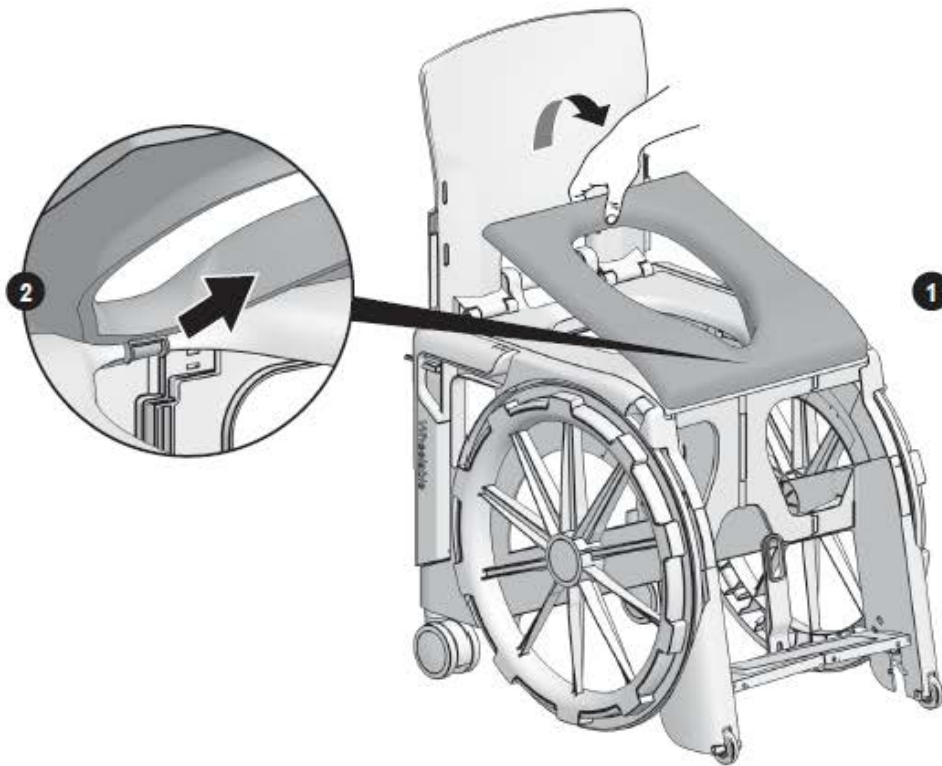


2

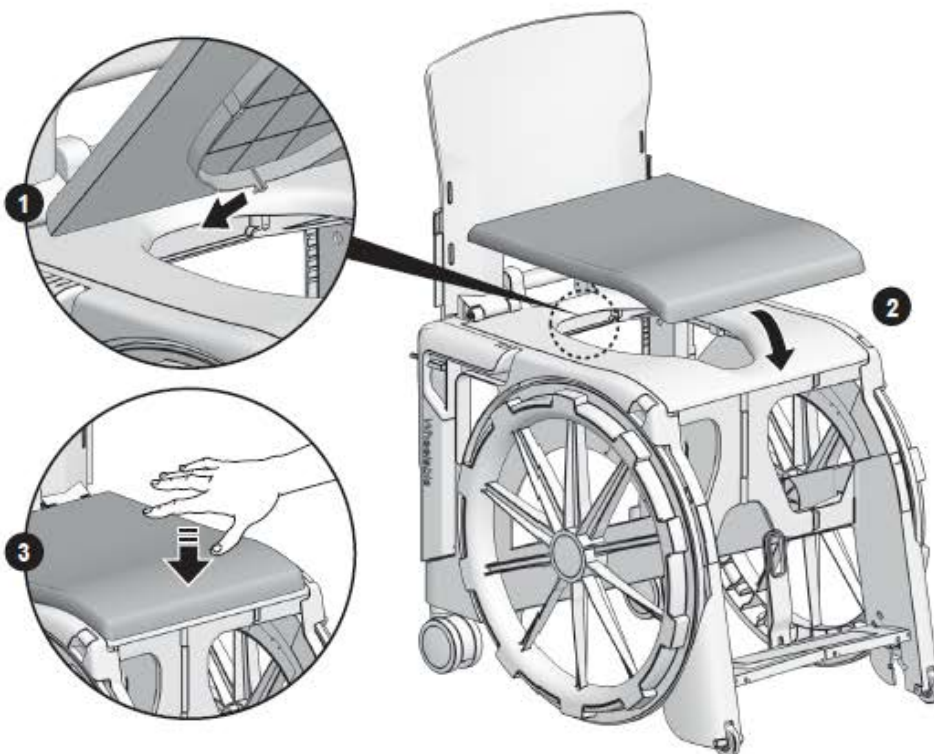


ACCESSORIES- UPHOLSTERED SEAT

1



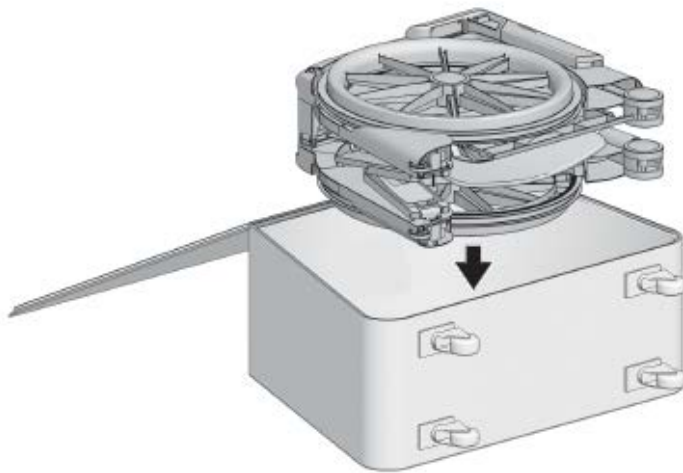
2



www.easycare systems.co.uk

ACCESSORIES- CARRYING CASE

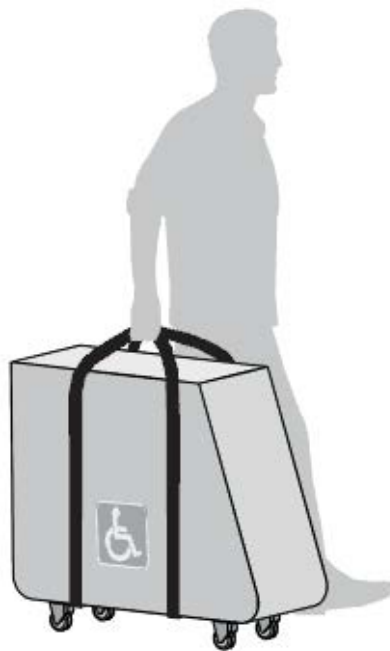
1

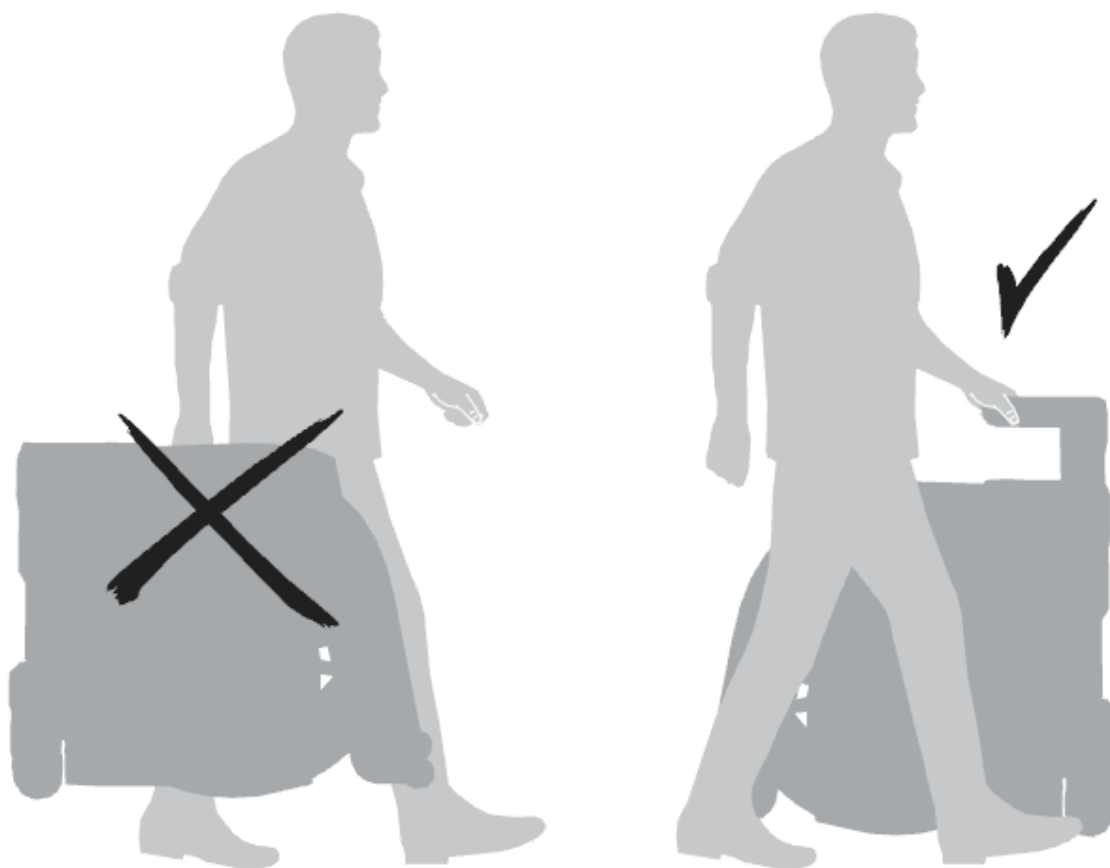


2



3





CLEANING AND MAINTENANCE

The commode and shower chair can be cleaned using a mild cleaning and disinfecting agent. Simply wipe the commode and shower chair with clean water and cloth, and then wipe dry with a clean cloth.

Do not use abrasive scouring agents or cleaners (read the product instructions!) that contain aggressive solvents (acids, thinners). Do not use stiff cleaning brushes, as these will damage the plastic surfaces or cause deposits to build up on the plastic parts and other materials.



Never make any unauthorized modifications or conversions to the commode and shower chair. These will adversely affect the safety and function of the commode and shower chair and void the warranty and nullify the manufacturer's liability!

WARRANTY

Dear client,

Thanks you for choosing our product.

This product warranty is valid for two years from the date of purchase.

If you experience problems with your product or if it is damaged, please contact the store you purchased it from.

Warning! Please read the user manual and warnings in this document before using this product.

To activate the warranty, you have the following options:

1. Complete the attached customer information form and send it to us, together with a copy of the purchase receipt.
2. Fill out the warranty form

First name	
Last Name	
Address	
City	
State	
Country	
Email	
Product serial number	
Place of purchase (Company/Retailer name)	
Purchase date	

The product comes with a user manual that provides instructions on how to assemble and fold it. Please make sure you understand the instructions. If necessary, refer to the Easy Care Systems website.

Note that warning labels are affixed to the product to alert you to incorrect use.

We guarantee the integrity and functioning of all plastic and metal parts.

In the event of a warranty claim, the warranty is valid only when a filled customer information form (found at the end of this user manual) and a proof of purchase (i.e., a receipt) are provided.

This warranty does not apply to the product's textile and sponge parts, upholstery, or surfaces (i.e., discoloration, scratches or wear and tear arising from use).

Also, the warranty does not apply to product damage resulting from unreasonable or improper use, falls from a height, or other accident.



Special Products and Service

Contact Us

Units 5 and 6 Lower Vicarage
Road

Southampton

Hampshire

SO19 7RJ

T: 02380 420678

E: info@easycare systems.co.uk

www.easycare systems.co.uk

