

# VOYAGER

## SHOWER CRADLE

easy**care**  
systems

Special products and Service



**Easy to transport making it perfect for holidays & short breaks**





# VOYAGER SHOWER CRADLE

Designed to assist

## TECHNICAL DATA

No specialist cleaning required due to our BacAway anti-bacterial powder coating, just use a proprietary cleaning solution.

Maximum user weight 21st

The mesh & straps are manufactured from 100% polyester

Do not wash at temperatures above 71°C

Do not dry clean

Do not use bleach of any kind

The Orchid Voyager Shower Cradle is designed to offer a reclined sitting position for use in a level access shower, or where space is limited, and offers a controlled and comfortable showering experience for the end user and carer.

This product is essentially a foldable, portable version of our Shower Cradle, with the added convenience of folding this cradle to a compact size of 131cm x 25cm x 56cm so it can be taken wherever it is needed.

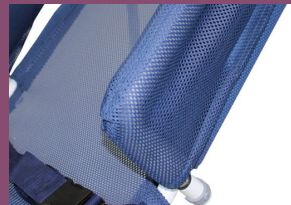
Comes complete with a holdall travel bag featuring inside pockets to hold Orchid Medicare accessories such as side support rolls or Delta head rest, making it easy and convenient to bring everything you need on holidays or short breaks. Easily transportable at 14kg.

Dimensions	Open Frame Sizes	Folded Frame Sizes
A (cradle width)	557mm/22"	557mm/22"
B (overall width)	505mm/20"	505mm/20"
C (calf)	463mm/18.25"	463mm/18.25"
D (thigh)	405mm/16"	N/A
E (back length)	812mm/32"	812mm/32"
F (knee height)	714mm/28.25"	N/A
G (hip height)	534mm/21"	N/A
H (overall height)	1074mm/42.25"	250mm/10"
I (overall length)	1420mm/56"	925mm/36.4"
Overall Folded Dimension	557(W) x 1305 (L) 250mm (H)	

## OPTIONAL ACCESSORIES



Delta Head Rest



Side Panels

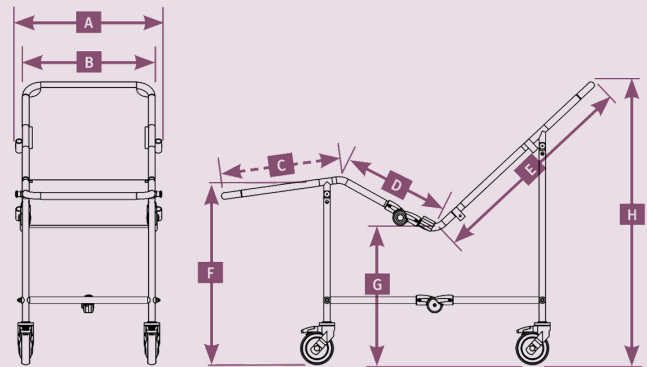


Washing Aperture



Side Support Rolls

View our full range of accessories on our website: [www.orchid-medicare.co.uk](http://www.orchid-medicare.co.uk)



- Frame features an anti-bacterial powder coating finish which does not degrade effectiveness over time
- Castor tested to 100 hours salt spray test
- Upholstery is hard wearing, easy clean and meets current legislations regarding fire retardant material
- The sides of the mesh along the frame are padded to maximise comfort
- Compact & easy folding action with travel bag included
- ISO:9001:2015 accreditation

Made in the UK

### Contact Us

Units 5 and 6 Lower Vicarage Road

Southampton

Hampshire

SO19 7RJ

T: 02380 420678

E: [info@easycare systems.co.uk](mailto:info@easycare systems.co.uk)

