



www.easycare systems.co.uk

Instructions manual





KEEP IN MIND THAT TO ENFORCE THE WARRANTY, THE PRODUCT MUST BE RETURNED IN ITS ORIGINAL PACKAGING, without damage and including all the pieces.

Do not throw away any packaging or piece of the package!

1 SECURITY WARNINGS



Important security warnings

- 1** NEVER block the air openings of the appliance.
- 2** DO NOT obstruct the air flow towards the casing.
- 3** DO NOT hang anything on Valiryo®.
- 4** DO NOT allow children to play with Valiryo® or to climb on it. They should be carefully supervised when using Valiryo®.
- 5** Once fully dried, DO NOT expose too long to Valiryo® set at its highest temperature.
- 6** Clean Valiryo® with neutral, non-aggressive products.
- 7** Do not use outdoors or operate where aerosol (spray) products are being used or where oxygen is being administered.
- 8** For additional protection the installation of a residual current device (RCD) with a rated residual operating current not exceeding 30 mA is advisable in the electrical circuit supplying the bathroom. Ask your installer for advise.
- 9** To avoid the danger of injury by electrical shock, do not repair the appliance yourself or make any adjustments to it. Have all repair or adjustments of the appliance performed at an authorised service centre. Tampering with the appliance during the warranty period may void the warranty.

The appliance is not to be used by persons (including children) with reduced physical, sensory or mental capabilities, or lack of experience and knowledge, unless they have been given supervision or instruction concerning use of the appliance by a person responsible for their safety.

Children should be supervised to ensure that they do not play with the appliance. Valiryo® can be used by children aged from 8 years* and above and persons with reduced physical, sensory or mental capabilities or lack of experience and knowledge if they have been given supervision or instruction concerning use of Valiryo® in a safe way and understand the hazards involved. Children shall not play with Valiryo®. Cleaning and care shall not be made by children without supervision.

* Children under 8 years should use Valiryo® under adult supervision.



Read this manual in order to guarantee maximum security and a proper use of Valiryo®.

- 1** Use this appliance only for its intended use as described in this manual. Do not use attachments not recommended by the manufacturer.
- 2** Follow the assembly instructions here provided.
- 3** If the supply cord is damaged, it must be replaced by the manufacturer, its service agent or similarly qualified persons in order to avoid hazard.
- 4** Before you connect the appliance, ensure that the voltage indicated on the appliance corresponds to the local power voltage.
Connect the plug to a normalized power outlet.

Valiryo®'s power network values

220-240 V
~50-60 Hz



Normalized power outlet

- 5** Do not turn Valiryo® on while still wrapped.
- 6** Do not force the control pad.
- 7** The manufacturer does not take responsibility for an inappropriate use of Valiryo® or its partial or total modification.

Australia - New Zealand

The installation must be done in accordance with the AS / NZS 3000 standard.

Serial numbers starting with K3, K4 and K5

The means for disconnection for Valiryo without plug, must be incorporated into the fixed wiring according to the local wiring rules.

1 Instructions for use

Security warnings



In case you want to connect Valiryo® to your home's electrical network permanently, please contact a professional installer.

If you are not a professional installer, **SKIP THIS PAGE.**



Steps to follow **ONLY** by a **professional installer.**

- 1** Find a power outlet or a junction box.
- 2** If the supply cable has plug, cut Valiryo®'s power supply cable without electrical connection, casting the connection plug aside in order to access L and N.
- 3** Connect Valiryo®'s wiring to the building's electrical network.



Remember to settle a turn-off system from permanent installation.

This appliance can be connected only to a supply with system impedance no more than 0,033 Ω . In case necessary, please consult your supply authority for system impedance information



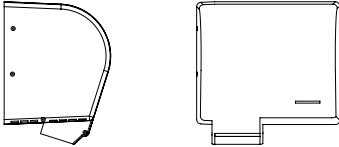
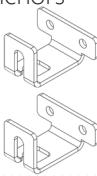
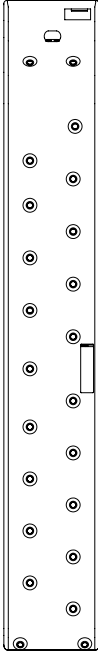
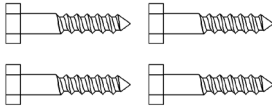
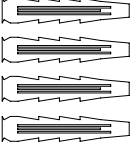

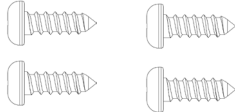
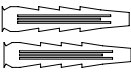



It is recommended to install Valiryo® through the false ceiling.

If installation is done through the wall, Valiryo®'s wiring is placed at 203 cm from the floor (when leaving a 10 cm margin between the floor or shower plate and the lower part of Valiryo®).

2 INSTALLATION AND ASSEMBLY



Once the box is unpacked, make sure all assembly elements are present and in optimal conditions. In case of doubt, consult the technical service.

<p>Casing</p> 	<p>Expansion anchors</p> 	<p>Column</p> 
<p>Screws Ø5x25mm (x4)</p> 	<p>Wall plugs Ø6 (x4)</p> 	<p>Stencils</p> 
<p>Ø4,8x13mm (x4)</p> 	<p>Ø5 (x2)</p> 	<p>Plate</p> 
<p>Ø3,2x19mm (x2)</p> 	<p>Spanner</p> 	

2 Instructions for use Installation and assembly

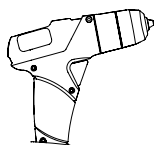


Valiryo® must be affixed to the wall and positioned vertically. Do not plug Valiryo® in until it is properly secured.

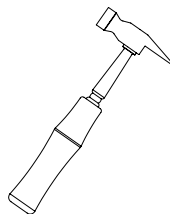


Needed tools

Ø6 mm and Ø5 mm
drill bits



Hammer



Screwdriver



Follow the next steps in order to carry out a proper installation



It is recommended that **two people** conduct the installation together.



Valiryo® can be installed **inside or outside** the shower space.



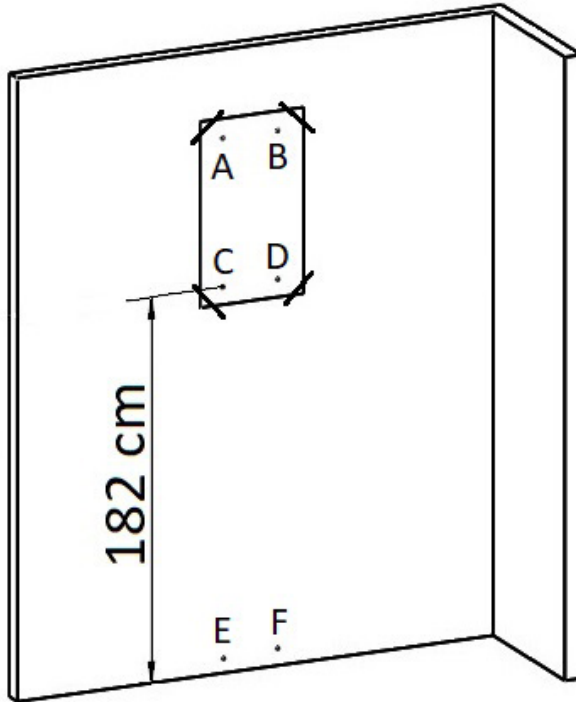
Prior to installing Valiryo®, make sure the **distance** between the room's floor and the ceiling is at least 2.20 m.



This is a **very simple** installation. Do read the instructions carefully.

1 Drill 4 holes on the wall

- 1 1** Use the stencil to mark the 4 holes on the wall

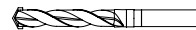


Bottom wall holes must be placed 182 cm from the floor.

- 1 2** Drill the 4 holes using a 6 mm drill bit



Make sure the drill bit you are using is suitable for the surface aimed to be drilled.

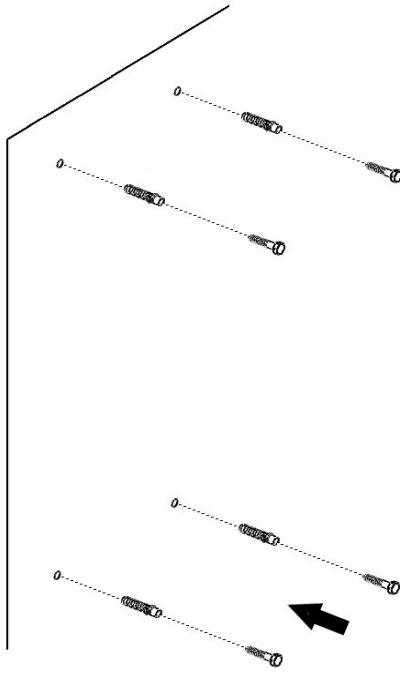


Ø 6 mm

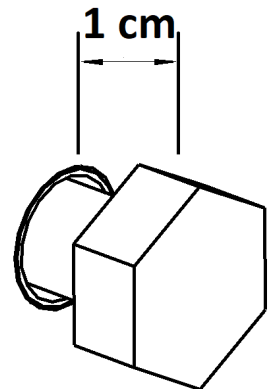
2 Instructions for use Installation and assembly

1 Drill 4 holes on the wall

- 1 3** In each hole made with a \varnothing 6 mm drill, **insert 1 wall plug**, first by hand and then by using a hammer so that it is fully inserted into the wall

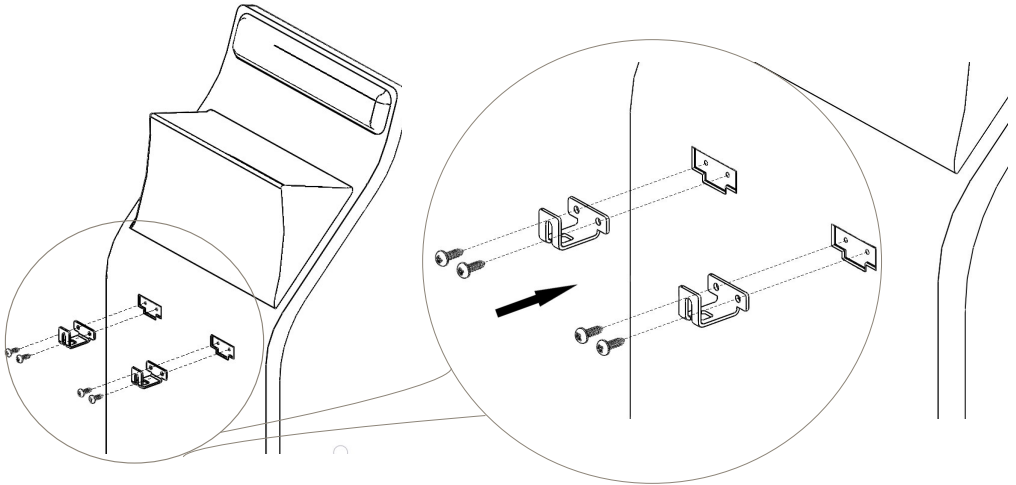


Insert **hex-cap screws** into each wall plug and screw them in until **1 cm** sticks out.

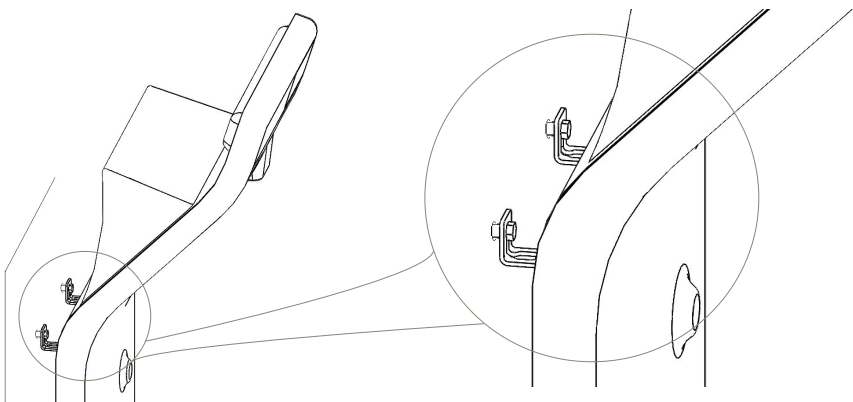


2 Install VALIRYO®'s column

- 2 1** Attach the expansion anchors to the column, by inserting the 4 hex-cap screws.

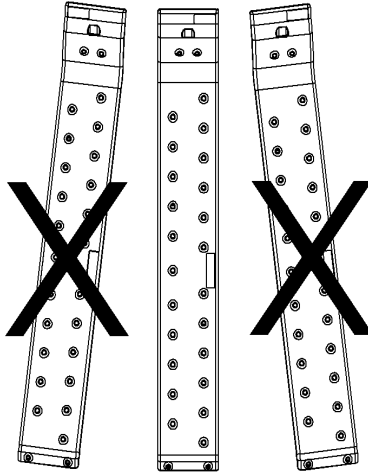


- 2 2** Attach the expansion anchors to the wall screws.

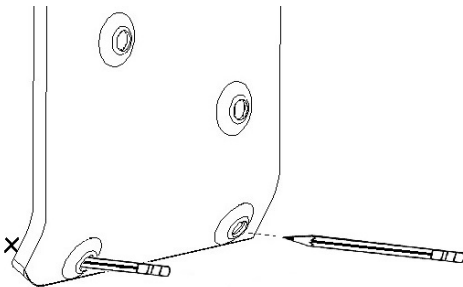


2 Install VALIRYO®'s column

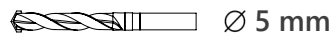
2 3 Make sure the column is fully straight.



2 4 As for the lower fasteners, **mark** the wall with a pencil. **Remove** the column, drill two holes accordingly and insert the **wall plugs**.

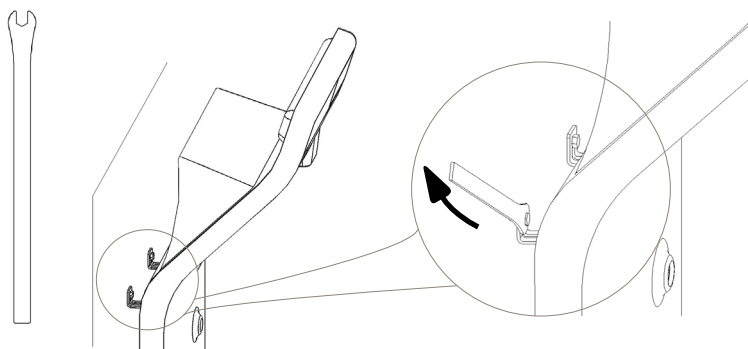


Make sure the drill bit you are using is suitable for the surface aimed to be drilled.

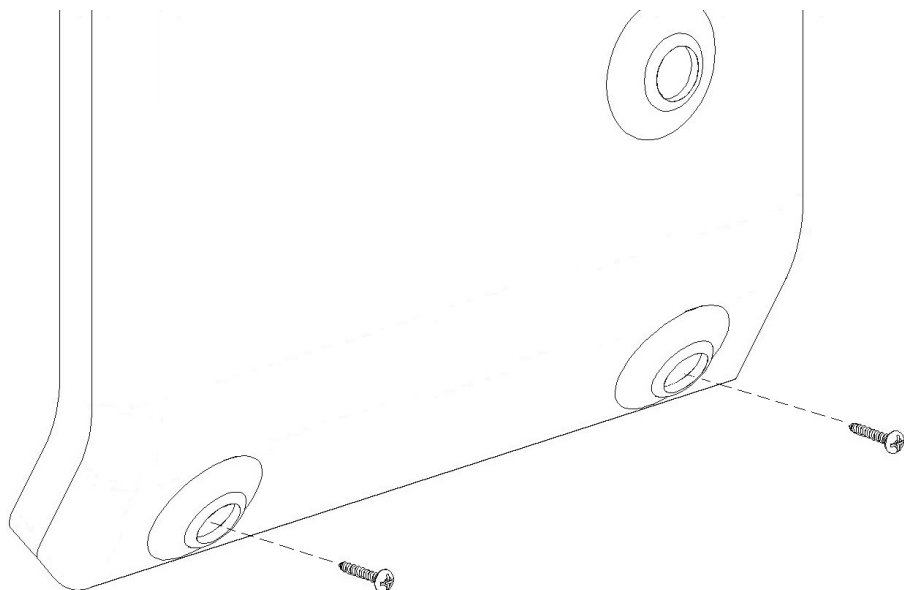


2 Install VALIRYO®'s column

- 2 5** Place the column back on the screws and tighten them with a spanner.



- 2 6** Tighten the column until it is completely secured and stable.



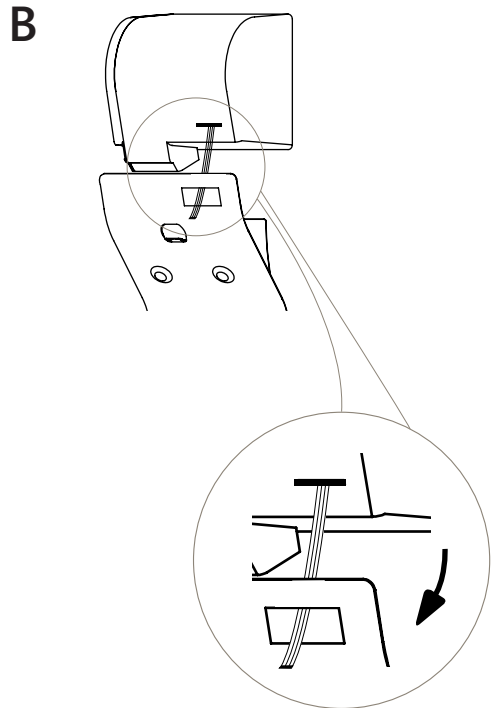
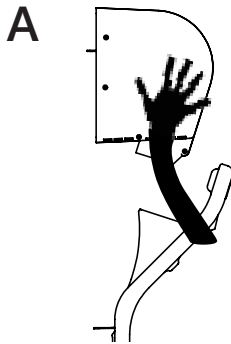
3 Place VALIRYO®'s casing

3 1



A A person should hold the casing and suspend it between the wall and the column.

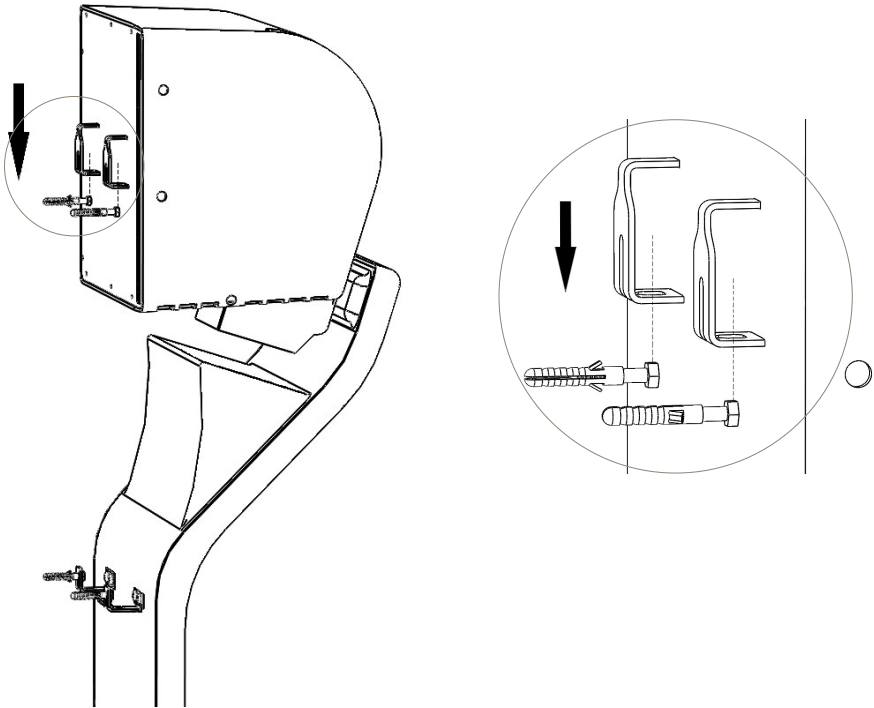
B Simultaneously, another person can slip the connection wire through the column slot.



2 Instructions for use Installation and assembly

3 Place VALIRYO®'s casing

- 3 2** Place the case on the 2 **upper** hex-cap screws on the wall. You will see that the box fits the column perfectly. Tighten the screws and make sure the column is straight.



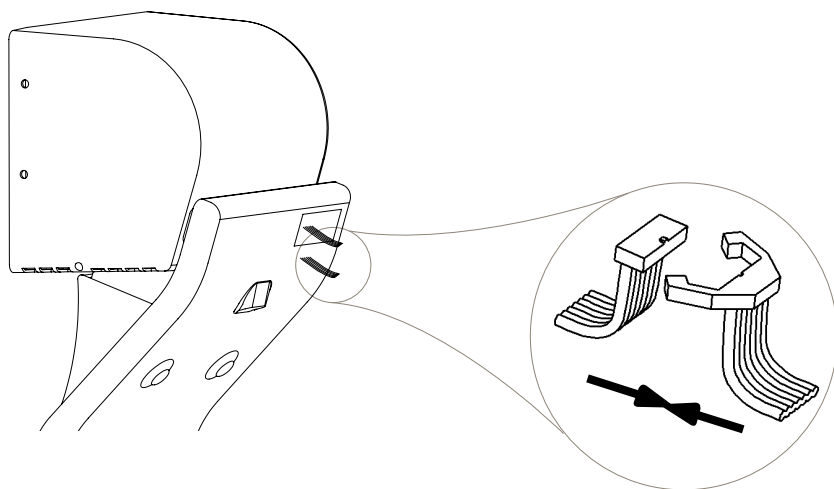
4 Connect the wire



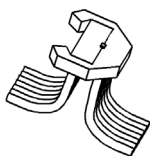
Prior to connecting the wire, make sure Valiryo® is not connected to the power network.

4 1

Connect casing's wire with the corresponding column wire in the single correct way.



Make sure the wire fit together perfectly.



Tip: leave a gap one level above the case so that Valiryo is completely straight and then tighten the screws accordingly.

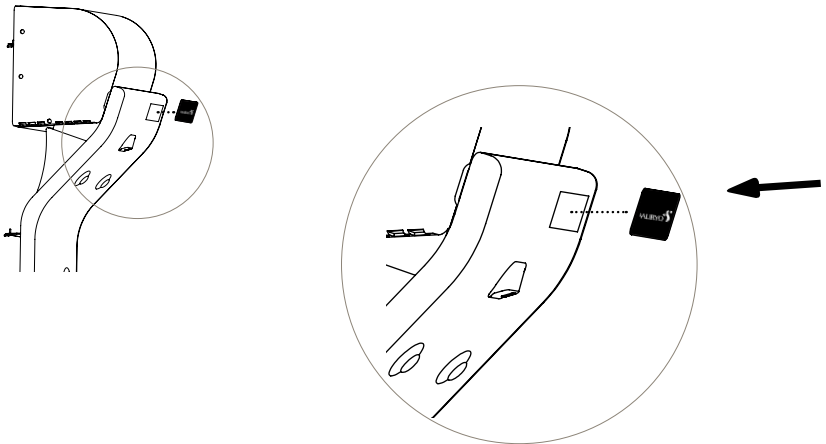
4 Connect the wire

4 2 Connect Valiryo® to the electrical network by plugging it in. Turn It on to confirm it works (find the control pad's instructions on page 34).



Make sure it works properly. **Try to connect the wire again** in case it does not.

4 3 Plug Valiryo® out of the electrical network, introduce the wire into the column's slot, remove the adhesive paper from the branded plate and stick the branded plate on Valiryo®.



5 Plug VALIRYO® in and, done!

3 CONTROL MANUAL



Self-winding activation

If the light is on, Valiryo will activate automatically only by stepping towards it. The air flow will stop a few seconds after having stepped away from the sensor.



Manual activation

Press the button to start and stop the air flow manually. If this option is on, self-winding activation will turn off.



Air flow activation



Turn up



Turn down



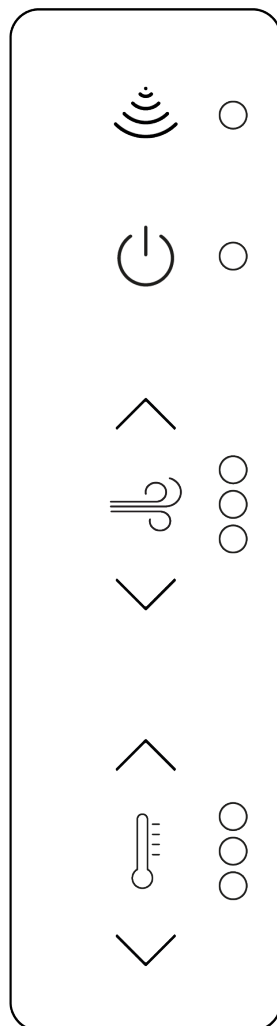
Temperature



Turn up



Turn down



TIPS FOR USING VALIRYO

Valiryo is a relaxing breeze that can be installed in your shower. Best of all, you can adjust it to your liking to suit whatever your preferences are in that moment. It can be refreshing or it can be warm, it can be gentle or it can blow like a hurricane, you decide.

Valiryo has a control panel that allows you to regulate the intensity and temperature of the Valiryo breeze. The lower the air speed and the higher the temperature, the more heat you will feel; the higher the air speed and the lower the temperature, the more freshness you will experience.



These are our tips for optimizing and enjoying your Valiryo:

If you want the warmest feeling possible:

- 1. Install Valiryo in your shower,** so that the breeze is the best possible temperature for your body temperature. The Valiryo breeze can go up to 32°C higher than the surrounding air, which means that the air temperature where the Valiryo is installed is very important.
- 2. Turn on your Valiryo 20 seconds before approaching it for use,** so that the column has time to heat up. In this way all the heat generated will be released by the diffusers, directing the breeze towards your body.
- 3. Use a low air velocity setting (LEDs off) and higher temperature (the three LEDs on).** On this setting, with less air being expelled per second, the temperature will increase.



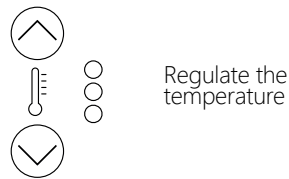
Lower air velocity



Higher temperature

- 4. Use your hands to remove the biggest drops of water on your skin.** The larger drops, having so little mass, cool quickly on your skin and when moved by the effect of the breeze they provide a sensation of freshness. If we use our hands to remove these drops, the rest of the smaller water drops will warm up thanks to Valiryo's breeze and heat your body.

- 5. Place yourself as close as possible to your Valiryo.** The closer the Valiryo is, the less ambient temperature air gets between you and the Valiryo, meaning that you will directly feel the warm air of Valiryo's inner breeze.
- 6. Slowly turn in front of the Valiryo breeze.** Enjoy the airthrapy, feel Valiryo's natural breeze, notice how your mind calms, your skin hydrates, your muscles relax and you feel light and free to continue on with your day.
- 7. Regulate the temperature and intensity to your liking.** When you feel hot, increase the Valiryo breeze velocity and lower the temperature to what you prefer, to optimize the airthrapy effect on your body.





Technical record

Operating voltage	220-240 V; 50-60 Hz
Intensity	12 A
Dimensions	218 cm x 29.5 cm x 2.8 cm 85.83 x 11.61 x 1.10 in
Weight	9,8 kg / 21.6 lb
Temperature increase over room temperature	Up to 32 °C / 89.6 °F
Temperature and speed variation between top and bottom diffusers	< 2 %
Drying time	< 3 minutes
Installation	Flat wall
Ingress Protection Rating	IP56



Contact



info@easycaresystems.co.uk



Contact Us

Units 5 and 6 Lower Vicarage Road Southampton
Hampshire
SO19 7RJ

T: 02380 420678

E: info@easycare systems.co.uk

www.easycare systems.co.uk



Made from 100 %
Recycled Materials

easyCare
systems



VALIRYO 

The After Shower Experience