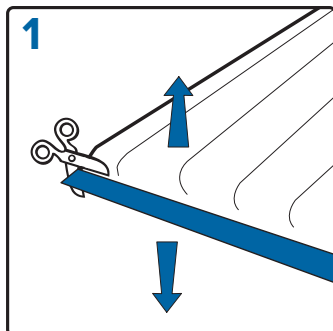


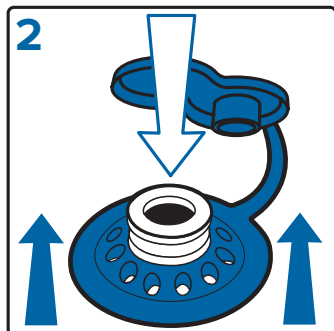
Repose Refresh Cover Instructions

A replacement cover for the Repose Mattress Overlay or Repose Cushion

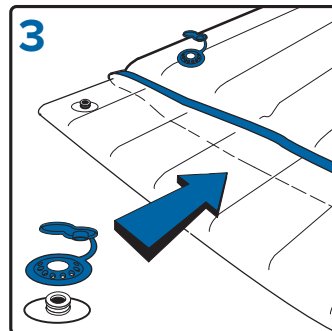
Instructions for use



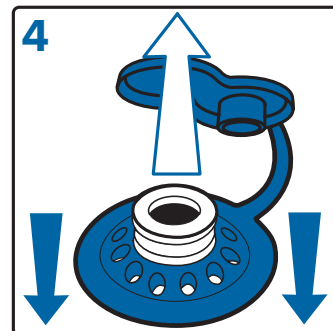
1 Remove existing outer cover by cutting adjacent to the top blue edging tape using a safety knife or scissors.



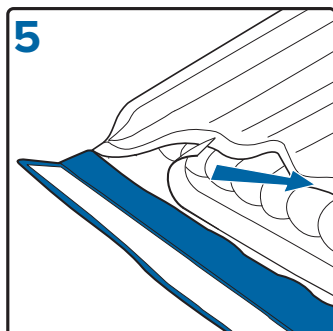
2 Lift underneath the blue shroud and push down on valve to separate from outer cover. Remove inner Mattress Overlay or Repose Cushion from outer cover. Clean and allow to dry.



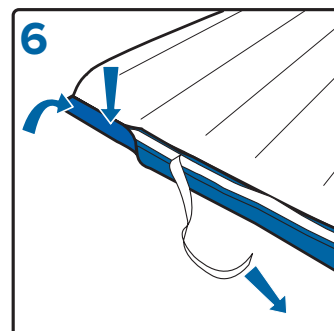
3 Insert the inflated Mattress Overlay or Repose Cushion into the Refresh replacement cover ensuring that the inflation valve and blue shroud on the new Refresh cover are aligned.



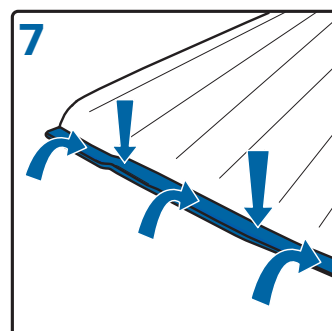
4 Press the blue shroud down onto the inflation valve until it is securely fixed.



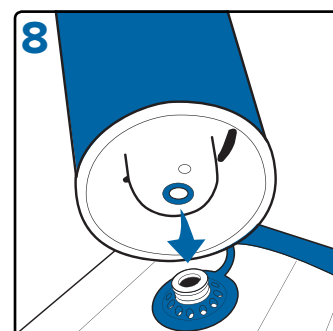
5 Remove the inner 'Peel & Seal' tape. Affix the cover to the adhesive and press firmly.



6 Repeat the process removing the outer 'Peel & Seal' tape half way across the blue edging tape.



7 Fold over the blue edging tape and press firmly ensuring a firm fit against the top surface of the cover material. Continue until all blue edging tape is securely set in place.



8 Re-inflate the device.

For more information:

Units 5 and 6 Lower Vicarage Road
Southampton
Hampshire
SO19 7RJ
T: 02380 420678
E: info@easycare systems.co.uk