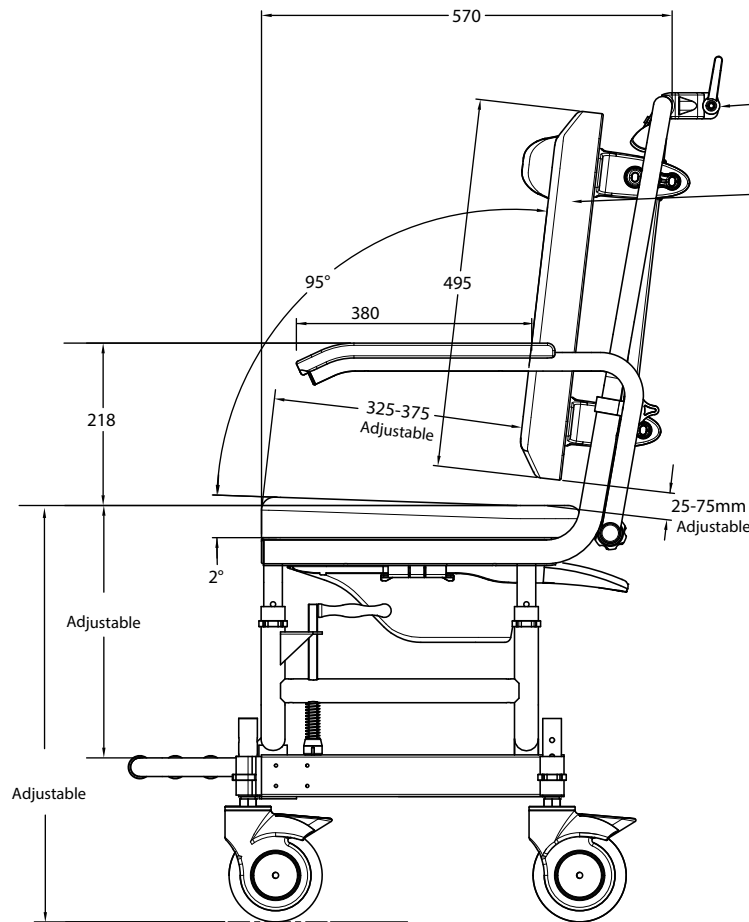


For all dimensions below seat cushion refer the chair model details

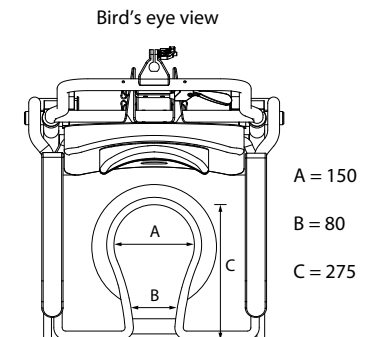


NOTE: neck rest Accessory [NRA] can be fitted

angle adjustable 84.5° / 93°/101.5°

depth adjustable 325mm/350mm/ 375mm

height adjustable backrest 25mm/ 50mm/75mm



Petite Buddy P2 shown fitted on SB1 chair base

Suitable for

✓SB1 ✓SB2 ✓SB2t ✓SB3t