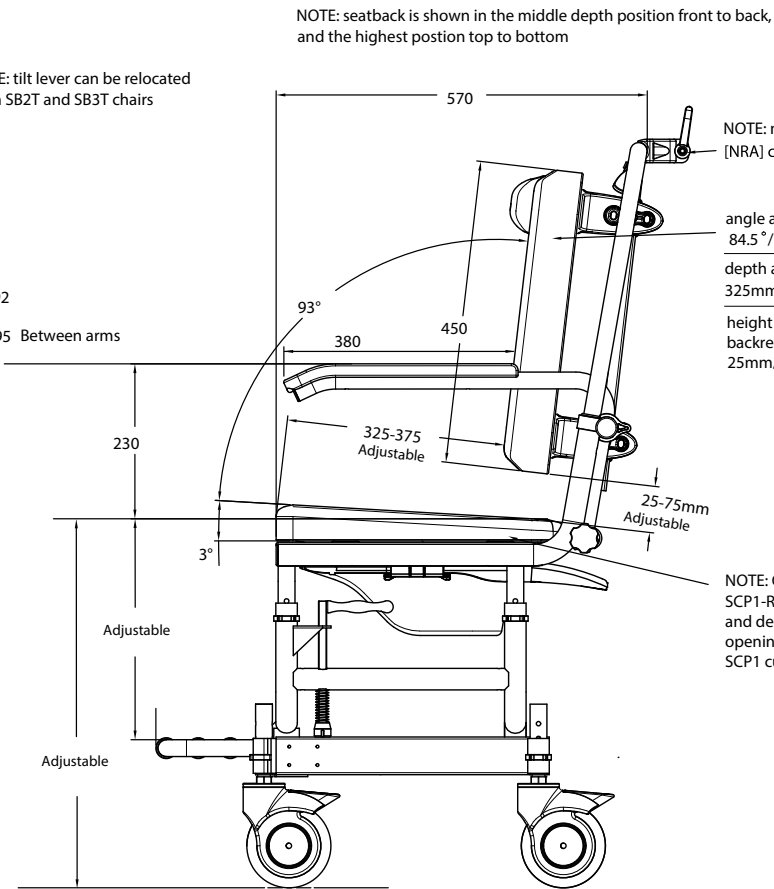


For all dimensions below seat cushion refer the chair model details

NOTE: tilt lever can be relocated from SB2T and SB3T chairs

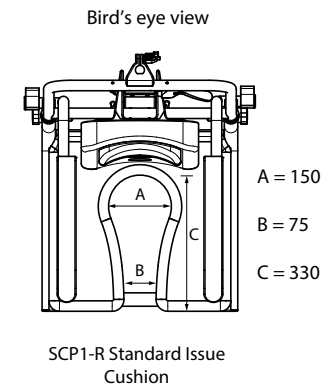


NOTE: seatback is shown in the middle depth position front to back, and the highest position top to bottom

NOTE: neck rest Accessory (NRA) can be fitted

angle adjustable
84.5° / 93° / 101.5
depth adjustable
325mm / 350mm / 375mm
height adjustable
backrest
25mm / 50mm / 75mm

NOTE: Cushion options: SCP1-R with rear slope and deeper commode opening, or accessory SCP1 cushion



Petite Buddy P1 shown fitted on SB1 chair base

Suitable for

✓SB1 ✓SB2 ✓SB2t ✓SB3t