

Owners Manual

ShowerBuddy
P1 & P2 Pediatric Kit



showerbuddy®

INTENDED USAGE:

The Showerbuddy shower/commode chair is a medical device indicated for use by persons with limited mobility who are unable to stand, walk and/or seat independently. The device is specifically designed for individuals who require additional support and stability during washing, toileting and other hygienic activities. It is a class 1 medical device, which is intended to be used only as a seating option for toilet issues, showering and bathing. Its purpose is to help physically handicapped people during their hygienic activities. Any other use is prohibited.

INDICATIONS:

The device is specifically indicated for individuals who (because of the wide variety of possible health problems) are unable to stand and /or walk and so they need an assistance device to maintain some or all daily hygienic tasks.

CONTRADICTIONS:

This type of device must not be used by a disabled person alone. The user should always be accompanied by a caregiver or assistance person. The device is not recommended for persons with flaccid paralysis or other diseases that cause serious body control problems. Such persons require special wheelchairs designed for extra stability and support of the user's body. The need for this type of specialty wheelchair should be always estimated and indicated by a physician or a physical therapist.

WARNING – Included in this packaging and fitted to the Showerbuddy chair are small parts, plastic wrap and polystyrene packing that could be dangerous to children under 5.

Keep children away from this device and do not let them play with any parts.



Be careful! Fingers or other body parts of a user and/or assistant can be trapped between the device's parts during folding, unfolding or adjusting of the device. Be extremely careful when adjusting the device. Observe the dimensions of gaps between the device's parts to avoid trapping your fingers or other body parts.

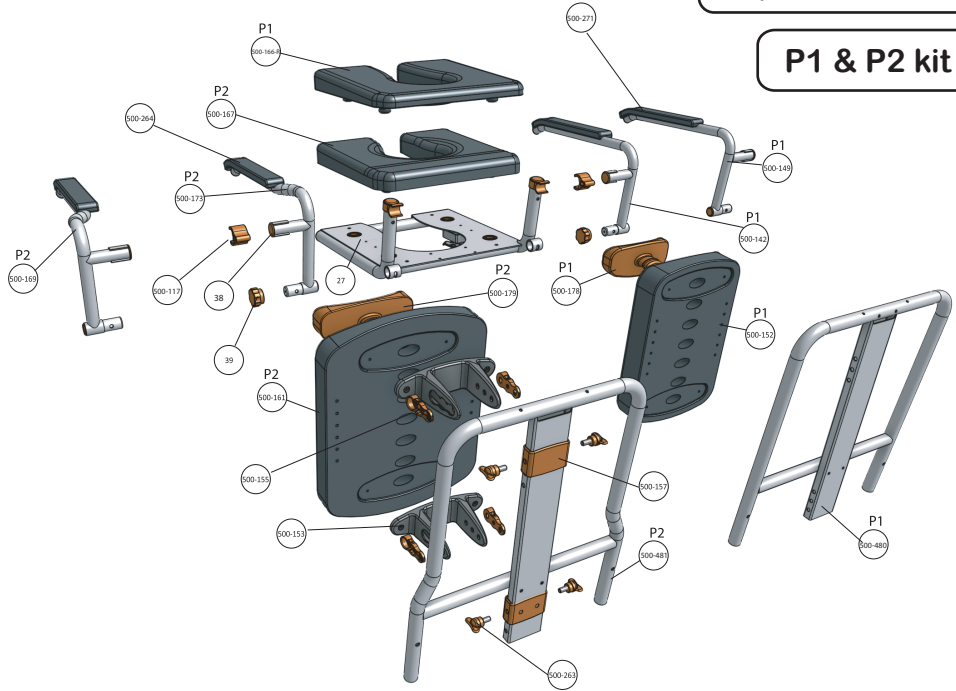
Contents Page

P1 & P2 Parts	3
Pediatric Kit Assembly	4
Operation Pediatric Kit	6
Cleaning and Maintenance	9
Safety Instructions	10
Warranty Information	13

This Shower Chair conversion kit is a Class 1 Medical Device designed to support people with disabilities or users with reduced mobility during toileting and showering.

Exploded Parts

P1 & P2 kit



500-155 plastic recess panel

500-113 Arm lock plastic

39 Arm lock screw

38 Arm lock end bung

500-142 P1 arm welded assembly LH

500-264 Arm pad LH

500-166 P1 Seat Pad

500-167 P2 Seat Pad

27 Arm latch

500-271 Arm pad RH

500-144 P1 arm welded assembly RH

500-178 Head support P1

500-117 Arm lock

500-153 Back cushion support bracket

500-135 Spine plastic collar

500-203 Locking knob

500-480 P1 Handle frame

500-179 Head Support P2

500-161 P2 Back Cushion

500-132 P1 Back Cushion

500-175 P2 arm welded assembly RH

500-169 P2 arm welded assembly LH

500-481 P2 Handle frame

Pediatric Kit Assembly

Both P1 and P2 kits are assembled in the same way. A note will explain at each stage where P1 & P2 options exist.

Step 1

Start by removing your handle, seat cushion and arms as shown in the illustration.

If needed you should refer to your chair's user manual, if you don't have this you can find it on our website.

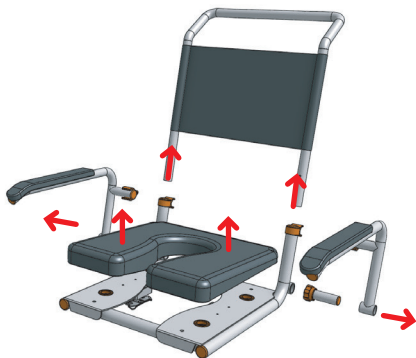
Note: If fitting to SB2T or SB3T you will need to disconnect the tilt release handle (part #75) from the chair push handle. Refer to your chair user manual

Step 2

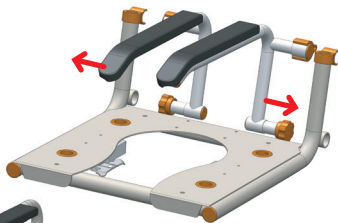
Arm fitting is the reverse of step 1 using your newly supplied pediatric arm assemblies.

If you are fitting the P1 kit, refer to the top image, showing the arms being inserted from the inside

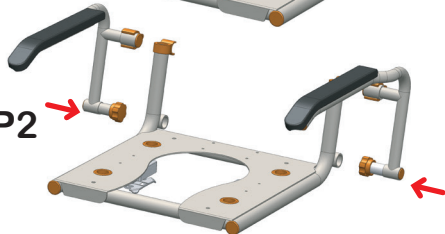
If you are fitting the P2 kit, refer to the bottom image showing the arms being inserted from the outside.

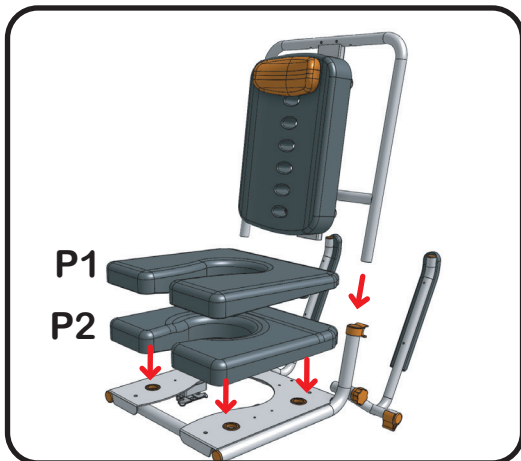


P1



P2





Step 3

Fit your new seat cushion (part #500-166-R for P1 and part #500-167 for P2) as shown.

Your new seat cushion is a direct replacement of your existing shower chair and will fit in the existing holes in the seat base plate.

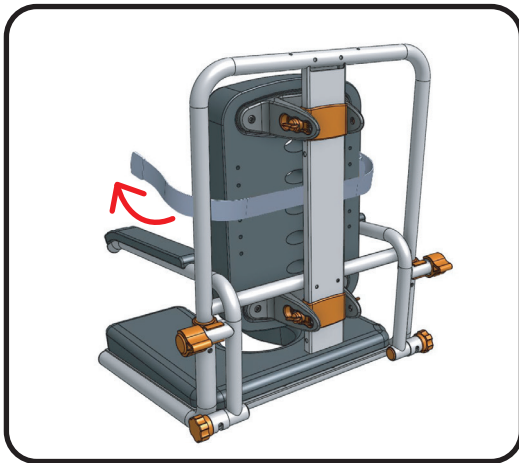
Note: If fitting to SB2T or SB3T you will need to reconnect the tilt release handle (part #75) back using the holes provided on the handle of your pediatric kit.



Step 4

Once all the elements of the kit have been fitted, check to make sure everything is fitted correctly, tightened up and that the arms can fold freely back and forward.

easy**care**
systems



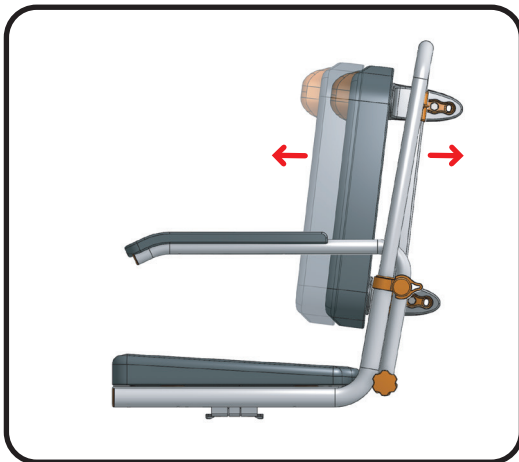
Step 5

The existing chest restraint can be transferred from the adult chair and used as shown in the diagram.

If you do not have lateral supports fitted simply wrap it around the back of the seat back cushion as shown.



Be careful! Fingers or other body parts of a user and/or assistant can be trapped between the device's parts during folding, unfolding or adjusting of the device. Be extremely careful when adjusting the device. Observe the dimensions of gaps between the device's parts to avoid trapping your fingers or other body parts.

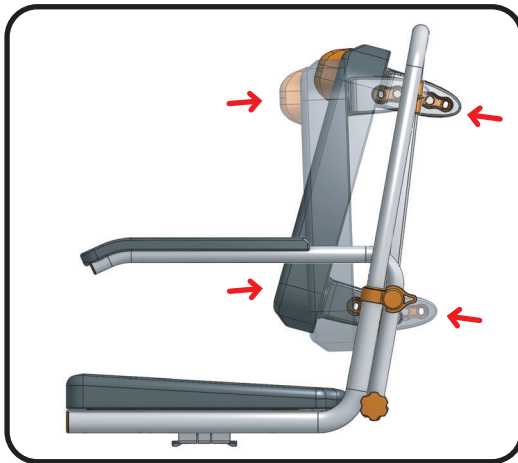


Operation Pediatric Kit

Your new pediatric conversion kit has been designed in such a way to allow it to grow with your child.

The P1 kit will accommodate younger children from the approx age of 5+ but allows a certain amount of growth before needing to move to the P2 kit.

The P2 kit will accept a child from around the age of 10 years up to teenage before needed to convert back to adult size seat. Adjustments in the kit are as follows.

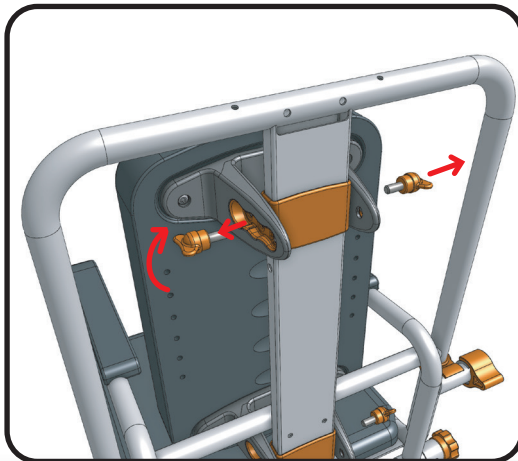


You can also make adjustments through the backrest cushion adjustment system.

This system has been designed to offer unrivalled flexibility and superior comfort to suit different users by adapting the backrest angle and backrest height that best suits the user.

To adjust your seat back angle simply undo the seat lock knobs (part #500-263) and position the backrest to the desired recline position by re-fixing the lock knob into that desired location hole. Screw the thread tight.

To adjust your seat backrest height simply undo the seat lock knobs (part #500-263) and position to the desired height location hole in the metal spine to give the required height. Screw the thread tight.



These adjustments are best carried out by adjusting the top or bottom individually while the other is still located, this then acts as a pivot for the seat backrest and makes alignment of holes easier. Ensure all seat lock knobs are tightened before use.



Be careful! Fingers or other body parts of a user and/or assistant can be trapped between the device's parts during folding, unfolding or adjusting of the device. Be extremely careful when adjusting the device. Observe the dimensions of gaps between the device's parts to avoid trapping your fingers or other body parts.

Cushion Support

Your Pediatric chair comes with a unique cushion support that can be used for a range of purposes.

1. It can be used to support the head with its curved sides offering sideways stability.
2. It can be used to provide neck support should this be needed for certain users.
3. It can also be used as a lower back lumbar support to help sitting up correctly.

We've design this system to be simple and fast so that changes can be made swiftly with minimal disruption to the user.

Simply pull your support cushion (part #500-179 P2 and part #500-178 P1) out from the back rest cushion and position it where required the selection of holes provided.

Note: This support is optional and may not suit all users. remove if not required.



Cleaning and Maintenance

It is recommended that your shower chair and accessories are serviced annually by your Showerbuddy Dealer or an authorised, competent service agent. In addition:

1. Regularly inspect all parts of the kit for defects. Any defective part should be attended to promptly by an authorised service agent.
2. Clean the seat using a damp cloth and a mild cleanser. Always read the manufacturers instructions prior to applying the cleanser. When using Sodium Hypochlorite (Bleach) on the seat, a solution of 0.1% Sodium Hypochlorite should have no adverse effects on the cleaning of chairs. However, when using a solution of 1.0%, care should be taken to rinse the chairs thoroughly with clean water after application. Over a period of time bleaching may occur, but the integrity of the product will remain unaffected.
3. Dry off the shower chair after use.
4. Do not oil or grease any parts.
5. Keep any moving parts free from lime scale, soap residue and hair by cleaning after use in the shower.

Caring for stainless steel.

Stainless steel has excellent corrosion resistance, but it is not stain or rust proof. Regular maintenance will keep stainless steel clean and free of contaminants. In most applications stainless steel will not rust or stain even after many years of service, but when used in certain environments such as concentrated chlorine or other corrosive elements stainless steel requires proper care and maintenance. Do not leave stainless in contact with iron, steel or other metals.

1. Clean stainless steel frequently with soap and water. Any cleaner safe for glass is usually safe for stainless steel; apply with a cotton cloth.
2. Use a coating such as a good wax to help safeguard the stainless steel.
3. Remove discolouration or rust spots as soon as possible with a brass, silver or chrome cleaner. Irreversible pitting will develop under rust that remains on stainless steel for any period of time. Apply a mild cleaner such as Ajax or an equivalent with a wet cotton cloth. Rinse thoroughly and wipe dry. Do not use abrasives such as sandpaper or steel wool on stainless steel.
4. Do not clean with mineral acids or bleaches.
5. Do not store near any chlorine product.

Safety Instructions

Safety Warning!

Failure to comply with these safety instructions may result in injury or damage!

It is important that the user(s), and/or the caregivers of the user(s), learn how to safely operate the Pediatric kit on their shower chair.

The following must be read before using the shower chair to ensure the safe operation.

The Owner(s) Manual must be read and understood before using the shower chair. If you don't understand any parts of the Owner(s) Manual, clarification should be sought prior to using the product.

For further clarification of any part of the Owner(s) Manual call your local dealer or visit www.showerchairs.co

Transfers to and from the Showerbuddy shower chair can be dangerous. Consult a Physical or Occupational Therapist to ensure safe and reliable transfer techniques is practiced.

Individuals who have not learned these skills must have assistance during transfers.

Do not use the Showerbuddy shower chair for any application outside of the manufacturers intended use, this can result in damage to the shower chair and components. Not complying with the manufacturer's instructions can result in injury to the user(s) or caregiver. Showerbuddy will not be held responsible for any injury or damage resulting from the misuse or inappropriate operation of the Showerbuddy shower chair.

If any part of the Showerbuddy P1 or P2 kit requires maintenance please don't hesitate to contact your dealer. Any problems that could affect the safe operation of the chair **MUST** be attended to immediately. The **MAXIMUM** user weight for this Showerbuddy P1 & P2 kit is: 66lbs (30kg) & 200lbs (90kg) respectively.

ALWAYS ensure that your Showerbuddy shower chair is capable of manoeuvring over surfaces that will be encountered prior to operating the shower chair with any user(s). This chair is only intended for use indoors, on flat surfaces, without thresholds, steps, curbs or obstacles.

ALWAYS lock the castor wheels when the chair is stationary. To do this step-on the lever that activates the wheel locks.

DO NOT lean forward or sideways out of the shower chair as this may cause the chair to tip.

DO NOT STAND or step on the footrest, as the chair will tip forward possibly causing injury to the User. The footrests are not load bearing and are not intended or designed as a step.

DO NOT wheel the shower chair down an incline without a caregiver who can control the chair during its descent.

DO NOT use the shower chair castor wheel locks as brakes when travelling down inclines.

DO NOT position the Showerbuddy shower chair sideways on a slope as this could cause it to tip.

Important!

Although every effort has been made by the Showerbuddy team to ensure the stability of the Showerbuddy shower chairs during use, it is important to recognize that the most dangerous part of using any shower chair is the transfer. If you are unsure of how to perform transfers in a way that can be performed safely, then contact a Physical or Occupational Therapist who is familiar with transfer techniques and options.

The wheel locks on the castors are designed to prevent the castor wheels from rotating when the shower chair is stationary. These **DO NOT** and **CANNOT** prevent the wheels from sliding if the floor is slippery. A slippery floor can be caused by dust, water, soap or any substance that doesn't allow the tires (tyres) to grip. Transfers should never be attempted with the Showerbuddy shower chair positioned on slippery surfaces since the wheel locks can only prevent the wheels from rotating. It is recommended that transfers be performed on clean, dry non slippery surfaces. When transferring onto a Showerbuddy Shower Chair always lock all castors in their outward position (front castors positioned in the forward and out position / rear castors positioned to the rearward and out position) for maximum chair stability.

Never use the foot rest to assist with transfers. This could cause the chair to tip forward. The footrest should be folded away during transfers to provide unobstructed access to the shower chair.

DO NOT stand on the footrest as this is designed to provide support for the user's feet while seated and not to act as a load bearing component when the user mounts or alights from the chair. Standing on the footrests could cause the chair to tip forward.

The fasteners – Knobs, nuts, bolts, washers – should be checked periodically to ensure that they are securely fastened. Your dealer should be called to check the fasteners and other components at least once per year.

All Showerbuddy shower chairs are supplied with chest and lap restraining belts that ensure the correct and safe operation of the shower chair for both the user(s) and the caregiver. It is important that these straps are used every time the shower chair is operated. Your Showerbuddy P1 & P2 kit can use these existing straps so that these can be easily and effortlessly attached. See page 8

Important!

ADJUSTMENTS SHOULD NEVER BE ATTEMPTED WITH THE USER(S) IN THE CHAIR!

Your authorized Showerbuddy dealer can help you with any adjustments you may want to make on your Showerbuddy shower chair or can provide clarification on any of the information contained herein.

Heavy Object

To avoid muscle strain or back injury, use lift aids and proper lifting techniques when lifting or moving this product



Warranty Information

2 Year Limited Warranty

Showerbuddy warrants our Showerbuddy Transfer Systems and all Showerbuddy products for two years from the date of purchase by the consumer. The warranty will only become active once the consumer submits the warranty registration card to the company with a copy of the purchase receipt. This warranty covers any defects in materials and workmanship on all Showerbuddy products except those listed in the Warranty Exclusion below:

Warranty Exclusions

- Product or parts failure from normal wear and tear
- Damage caused by failure to adhere to the Owner's Manual
- Damage from improper installation, use or repair
- Seat cushions and arm rests

Limitations

- The warranty is VOID if the original serial number tag is removed or altered
- The warranty is VOID if the unit sustains damage from unnatural causes
- The warranty is VOID if the shower chair has been subjected to neglect, improper maintenance, storage, cleaning or operation as defined in the Owner's Manual
- The warranty is VOID if the unit is modified without Showerbuddy's written consent
- This warranty applies to the original purchaser only

Your Responsibilities

- If your unit requires warranty service, please contact the dealer from which you purchased the Showerbuddy unit.
- If you do not receive satisfactory dealer service, contact Showerbuddy at the address below
- Do not return the unit to Showerbuddy without first obtaining a Return Authorization Number from Customer Service
- A defective unit must be shipped to Showerbuddy within 14 days of issuance of a Return Authorization Number by Customer Service

Our Responsibilities

- Showerbuddy's sole responsibility is to repair or replace, at our discretion, the warranty covered components of the shower chair. This is the exclusive remedy for consequential or incidental damages.
- Upon pre-approval, Showerbuddy may provide exchange services for Warranty returns.
- Under this program, a refurbished Showerbuddy unit may be shipped after the return of the defective unit. The exchange unit may contain used parts that meet Showerbuddy quality standards. This program is provided at the sole discretion of Showerbuddy. The original warranty term will not be extended due to such a unit exchange and a return unit will become the property of Showerbuddy.



Reuse

This medical device can be reused by another owner if the original owner of the product doesn't need it anymore. Before reuse the device must be carefully inspected by authorized technical staff.

Following elements should be checked:

- rigidity of the structure,
- tightness of bolts and nuts,
- condition of plastic elements,
- condition of wheels and ball bearings,
- efficiency and condition of brakes.

If any of above elements are torn or broken, they should be replaced with new parts. It is specially recommended to install new wheels, seat and backrest for every new user of the device. All loose bolts and nuts must be tightened. The product must be precisely cleaned and disinfected. Every new owner must receive the device with this user's manual attached.

WARNING! It is forbidden to reuse the device if the main frame is bent or broken.

Disposal of Your device

The device should not be deposited with normal garbage. Your shower chair must be disposed according to applicable local and national statutory regulations. Contact your local waste disposal agency or authorized dealer of rehab equipment for information on proper disposal of the chair, packaging, metal frame components, plastic components and other materials.



www.easycare systems.co.uk

Contact Us

Units 5 and 6 Lower Vicarage Road
Southampton
Hampshire
SO19 7RJ

T: 02380 420678

E: info@easycare systems.co.uk

