

SHOWER TROLLEY



Orchid Medicare



easy**care**
systems



Flexible height adjustment gives the patient and carer maximum comfort



easy**care**
systems
www.easycare**systems.co.uk**

Contact Us
T: 02380 420678
E: info@easycare**systems.co.uk**



SHOWER TROLLEY

Designed to assist

TECHNICAL DATA

No specialist cleaning required due to our BacAway anti-bacterial powder coating, just use a proprietary cleaning solution.

Overall Length | 2037mm

Overall Width | 787mm

Overall Height | 800mm to 1200mm

Mattress Base Height | 610mm x 1010mm

Maximum User Weight | 170kg / 26st

Shower Trolley Weight | 96 kilos

Mattress Weight (excluding hose assembly) | 5kg

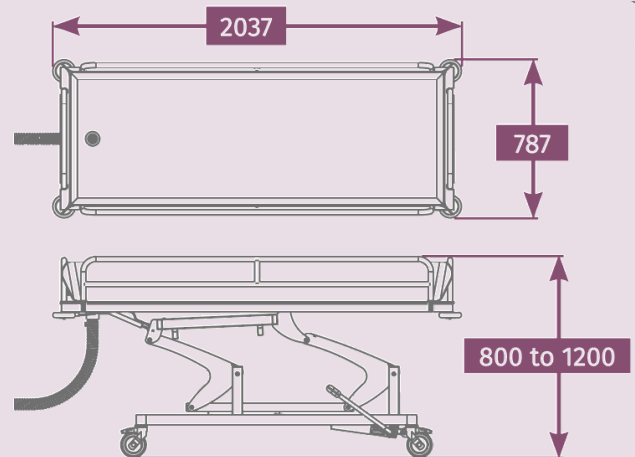
The Orchid Medicare Shower Trolley is designed to provide a safe and comfortable experience for both the end user and carer when washing, showering and providing personal care. Our mobile shower trolley features lock brake castors and drop-down side railings for ease of transportation and safer patient transfers.

The 400mm height adjustment allows the carer to position the trolley at the optimum level for correct posture and safe handling when lifting, moving and providing treatments to patients.

Comes complete with a removable waterproof mattress made from easy clean 600gm PVC lacquered and polished polyester. *PVC pillow not included.

FEATURES

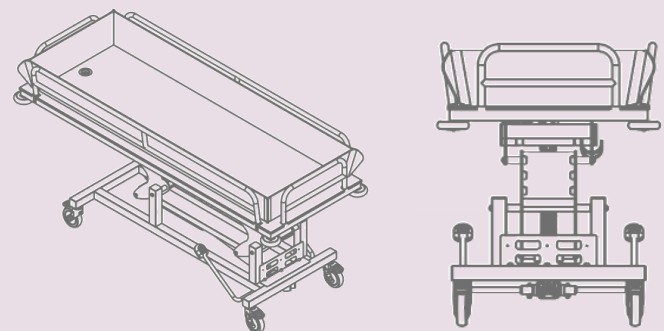
Both electronic and manual lifting options are available with our Shower Trolley.



Electronic Lift



Manual Lift



- Frame features an anti-bacterial powder coating finish which does not degrade effectiveness over time
- Castor tested to 100 hours salt spray test
- 400mm height adjustment with both manual and electronic options
- Easy clean 600gm PVC lacquered and polished polyester waterproof mattress (pillow not included)
- ISO:9001:2015 accreditation
- Made in the UK



Contact Us
 Units 5 and 6
 Lower Vicarage Road Southampton
 Hampshire
 SO19 7RJ
 T: 02380 420678
 E: info@easycare.co.uk