

BARIATRIC TILT-IN SPACE SHOWER CRADLE



OrchidMedicare

easy**care**
systems



Easy control reclining action gives the patient maximum comfort





BARIATRIC TILT-IN- SPACE SHOWER CRADLE

Designed to assist

TECHNICAL DATA

No specialist cleaning required due to our BacAway anti-bacterial powder coating, just use a proprietary cleaning solution.

Maximum User Weight 300kg / 47st

The Mesh & Straps are Manufactured From 100% Polyester

Do Not Wash at Temperatures Above 71°C

Do Not Dry Clean

Do Not Use Bleach of Any Kind

The Bariatric Tilt-in-Space Shower Cradle is a solution designed to streamline personal care and enhance the showering experience for the end user. The tilting function gives the option of an upright or tilted seating position, and the sides of the mesh along the frame are padded to maximise comfort.

Optional accessories available such as a fully adjustable and removeable foot rest, thoracic supports and hip supports. This cradle is available in a bariatric friendly size and the option of either a manual or electronic tilt action, which provides a tilting angle between 75° and 35°. Aperture available, and sits comfortably over our commode facility.

Dimensions Bariatric Tilt-In-Space

A (back width)	695mm
B (hip)	593mm
C (knee)	640mm
D (foot)	659.5mm
E (back length)	812mm
F (thigh)	430mm
G (calf)	480mm
H (overall width)	754mm
I (seat height)	639mm
J (overall length upright)	1038mm
K (overall height)	1409mm
Reclined Length	1566mm

OPTIONAL ACCESSORIES



Delta Head Rest



Side & Hip Supports

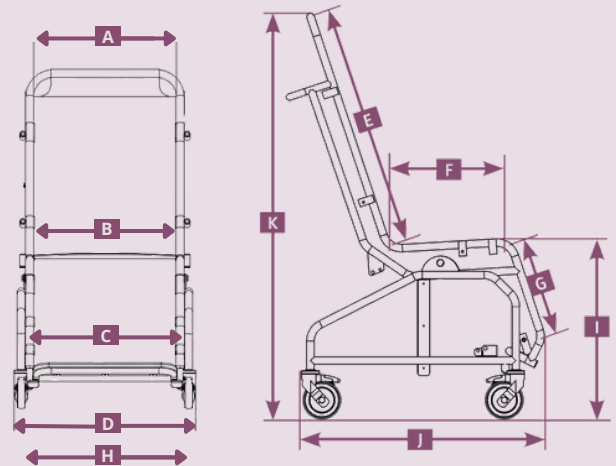


Washing Aperture



Side Support Rolls

View our full range of accessories on our website: www.orchid-medicare.co.uk



- Frame has an anti-bacterial powder coating finish which does not degrade effectiveness over time
- Castor tested to 100 hours salt spray test
- Upholstery is hard wearing, easy to clean and meets current legislations regarding fire retardant material
- The sides of the mesh along the frame are padded to maximise comfort
- ISO:9001:2015 accreditation; Made in the UK



Orchid Medicare

easy**care**
systems

Contact Us

Units 5 and 6 Lower Vicarage Road Southampton
Hampshire, SO19 7RJ

T: 02380 420678

E: info@easycareystems.co.uk