

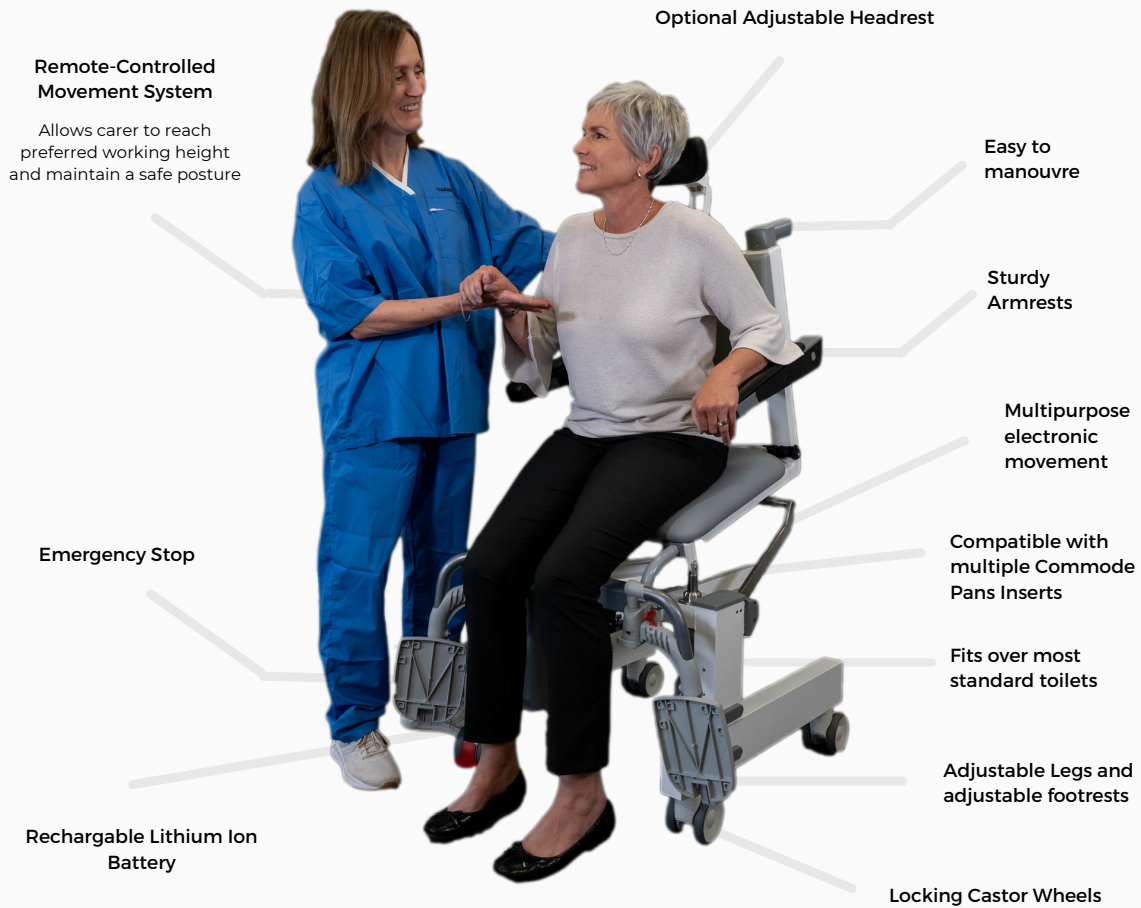


Electronic Multipurpose Hygiene Chair

Improving safety and comfort
for end-user and caregiver



Designed to improve safety and comfort for end-user and caregiver



Combining 4 Products Into 1



**Variable Height/
Toileting**



**Shower & Hygiene
Assist**



**Sit to Stand
Assist**



**Easy Toileting &
Commode**

Unique Electronic Movement System Improves the Quality of Care



Electronic Stand assist function

Komodo Chair assists the user, capable of weight bearing, in standing, with slow movements that help re-engage the correct leg muscles, whilst ensuring the carer does not take the full weight of the patient.

Electronic Shower Assist function

Komodo Chair reclines backwards to -37 degrees, allowing the carer to wash and rinse the end-user in a position that is comfortable and secure for both parties. When combined with variable height, cleaning is easy and dignified.



Electronic Variable Height and Toileting

Electronically operated height adjustable settings allow for easy cleaning and easy placement over existing toilet facilities as well as the benefits from variable height with hygiene and lifestyle requirements. Enables easy use with a range Commode Pan inserts and cleaning with a Peristeen when combined with electronic recline.

Standard Features

Alongside the novel movement system, the Komodo Chair incorporates many useful features



Komodo Chair with high-quality Linac Actuators



Intuitive Electronic Handset



Lithium Ion Battery and Charger*



Standard Seat & Lap-Belt



Sturdy Adjustable Armrests



Adjustable Legs & Footrests



Large 100ml Locking Castors



Emergency Stop

Available Accessories



Adjustable Headrest



Alternative Seat Options



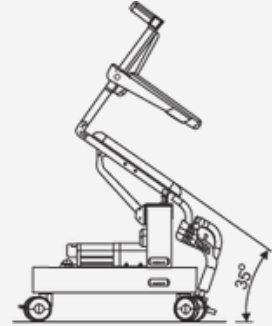
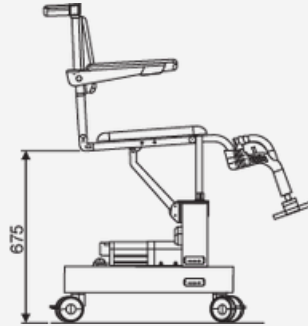
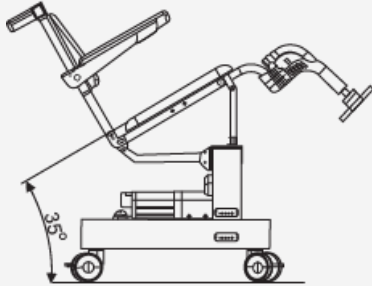
Harness



Commode Pan

*Additional Battery and Charger available as an add-on accessory

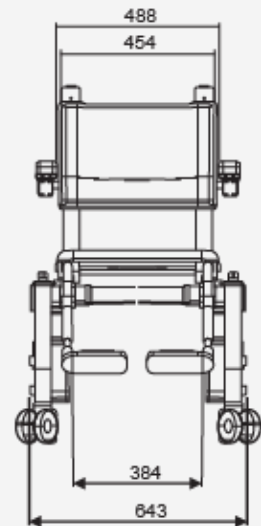
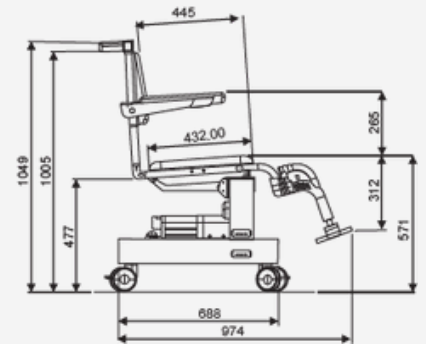
Movement



Technical Specifications

Frame	Powder Coated aluminium
Actuator Levers and Pivots	Stainless steel
Covers and Handles	Plastic PET-G
Seat base	432mm
Seat back pad	Plastic PU
Seat back moulding	Plastic ABS
Arm rest pads	Plastic PU
Weight	30kg
Total width	643mm
Total height when lowered	1049mm
Minimum seat clearance	477mm
Minimum seat height	571mm (front edge)
Maximum seat load	769mm (front edge)
Maximum armrest load	125kg
Battery Voltage	50kg
Battery Capacity	24VDC-29VDC
Battery Type	2.1Ah
Charger input	Li-ion
Charger output	100VAC-240VAC

Measurements



Testimonials

"This equipment is absolutely fantastic, we are finding that the members of our community are a lot more comfortable in the Komodo than the chair that goes with the care bath. There is more room and some of our larger residents find the chair an easier fit for them...All I can say is thank you for a fantastic chair, it has made the lives of our carers and the members of our community easier."

Mr Stephen Burton, Manager at Alde House Care Home

"Summary; Overall the Komodo has fitted into our desire to deliver high quality care to our residents, and to provide a reduction in muscular skeletal demands on our carers, and as time progresses, we feel sure we will develop new caring adaptations & techniques to enable us to benefit from this new technology."

Mrs Diane Delicate, Manager at Ashlyns Care Home

"Best suited to a nursing home environment and could be an ideal multi-functional piece of equipment to care for an individual in the home setting especially where space is an issue. All participants accepted that this would benefit carer's in their daily role. All participants agreed the device was easy to use and to propel."

Independent Verification Study - Medical Devices Testing & Evaluation Centre

The Komodo Chair

The Komodo Chair

INCLUDES

Chair with Standard Seat

Adjustable Armrests

Adjustable Footrests

Electronic Handset

Locking Castor Wheels

Lithium Ion Battery & Charger

Two Year Warranty

Accessories

DESCRIPTION

Headrest Kit

Potty Kit

Spare Battery

Spare Charger

Harness

Lap Belt

Foot Rest - Pair
Not including Hangers

Lap Belt Cover
(Disposable (10))

Contact Us

Units 5 and 6 Lower Vicarage Road

Southampton

Hampshire

SO19 7RJ

T: 02380 420678

E: info@easycare systems.co.uk

easyCare
systems