



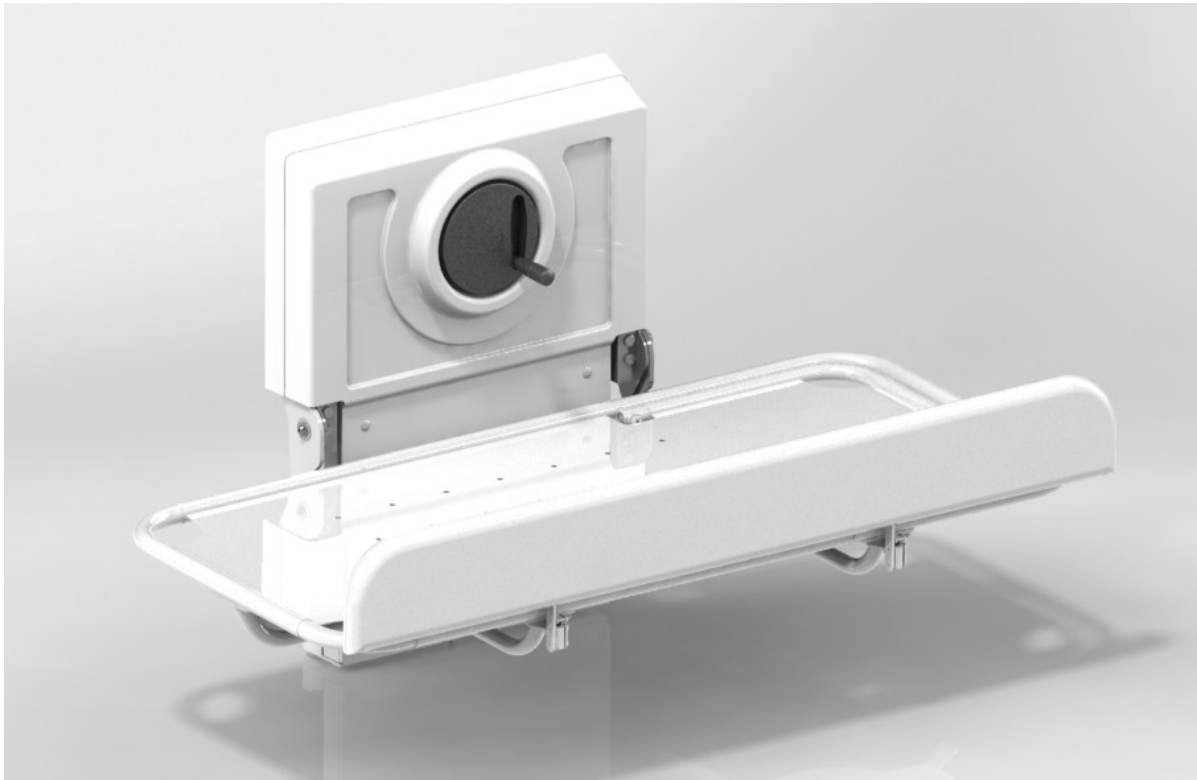
www.easycare systems.co.uk

SHOWER STRETCHER

Adjustable Height

INSTRUCTIONS FOR USE

Codes: 3181-3186




CONTENTS	PAGE
1.0 INTRODUCTION	1
2.0 ILLUSTRATION OF YOUR STRETCHER	2
3.0 TECHNICAL DATA	3
4.0 FOR YOUR SAFETY	4
5.0 SURVEYING AND INSTALLATION	5
6.0 HOW TO USE YOUR STRETCHER	10
7.0 CARE & MAINTENANCE	12
8.0 WARRANTY & SERVICE	16
9.0 CONTINUOUS IMPROVEMENT	17
10. SERVICE INSPECTION	18

1.0 INTRODUCTION

Thank you for choosing the Smirthwaite Easi Change adjustable height shower stretcher.

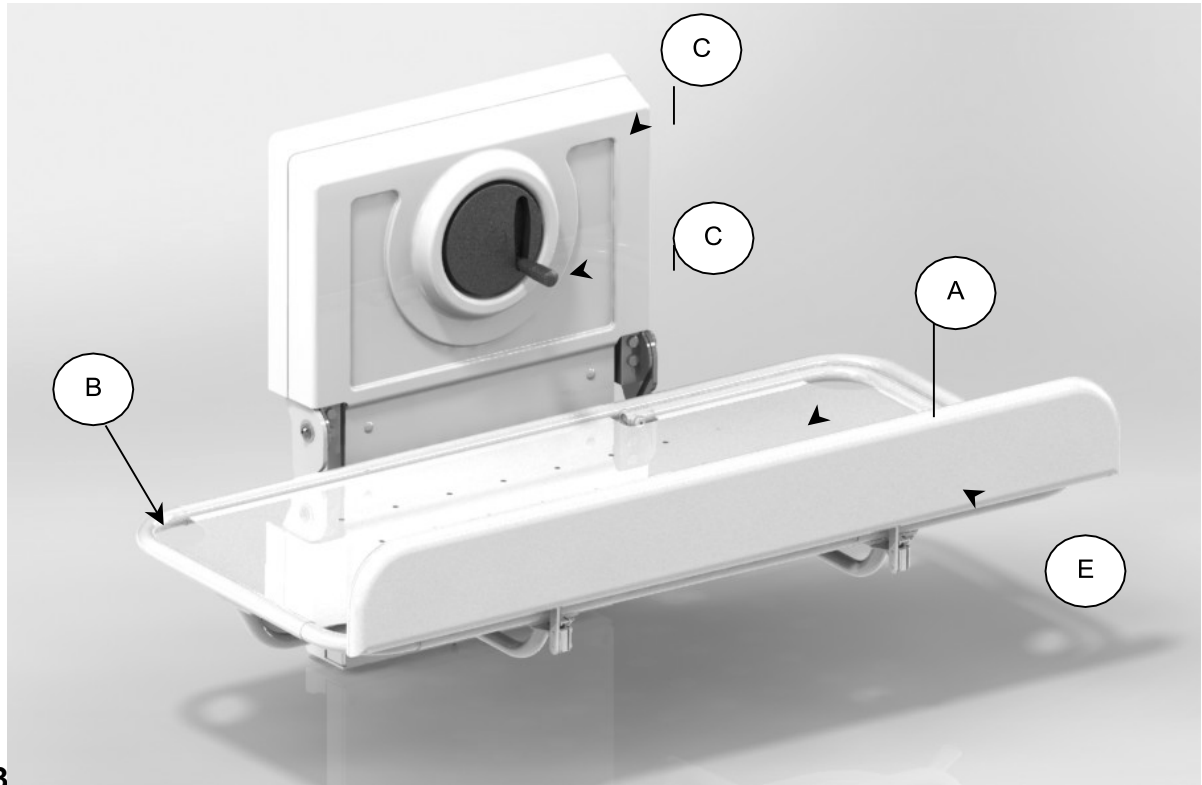
The showering stretcher has been designed to fit into a room where space is at a premium, and provides a durable and economic solution to showering requirements. Height adjustment to suit client, carer and working environment is simply and easily achieved across a range of 450mm to 800mm.

Its compact and lightweight design is simple to use, and is suitable for use by both children and adults with a maximum user weight of 200kg. When not required for use, the stretcher can simply be stored vertically.

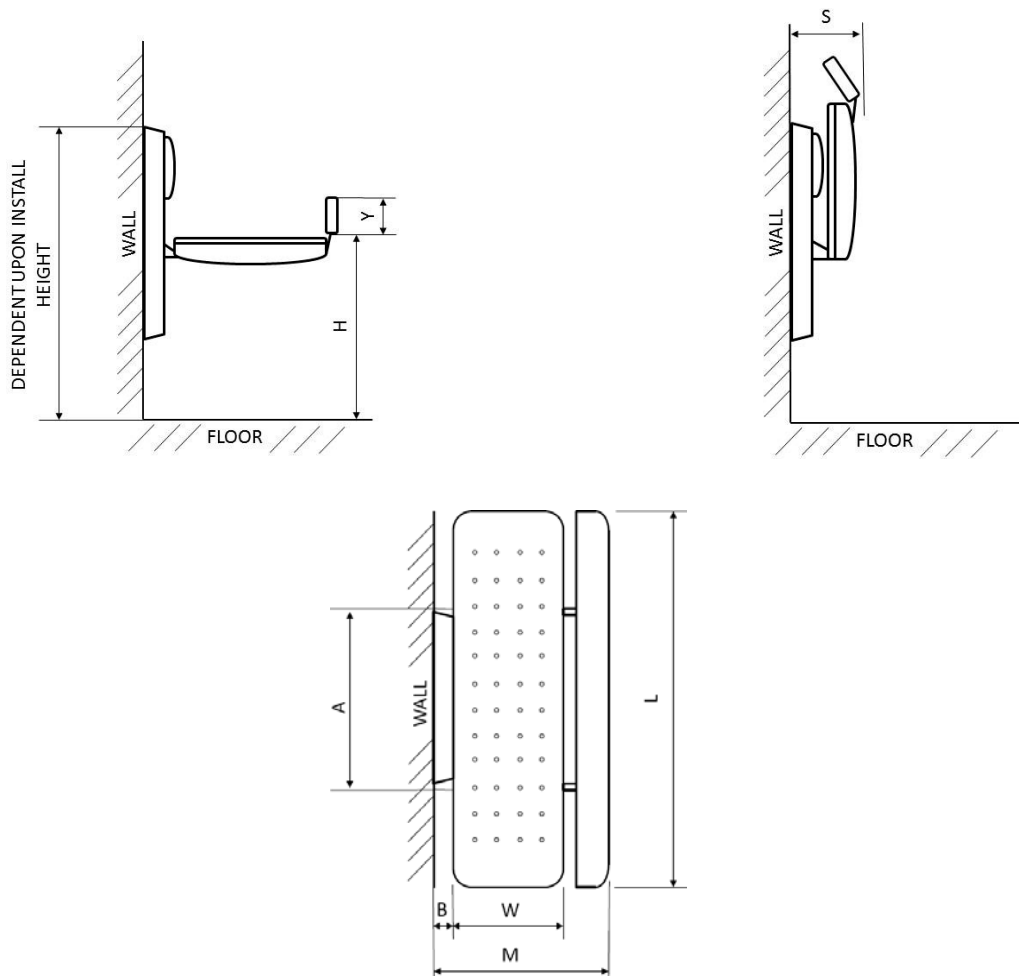
	<p>IMPORTANT!</p> <p>These instructions should be read by all therapists and carers using the equipment and should be retained for future reference. The product should always be used under adult supervision.</p> <p>Any incorrect use of the product and failure to follow the instructions may put the user at risk or impede the function. If you have any queries using this product or wish for further copies, please do not hesitate to contact Customer Service department on T: +44 (0) 8455 192121</p>
---	---

2.0 ILLUSTRATION OF YOUR STRETCHER

- A. Durable non-rip vinyl
- B. Stainless steel powder coated frame
- C. Wall mount frame cover
- D. Adjustment handle
- E. Safety guard (optional accessory)



3




* Safety Guard optional accessory

**Drip tray optional accessory


Code	Size	Table Dimensions			Height Range	Wall Frame		Guard Rail*		Stored Width	Stored Width inc drip tray**	Max User Weight	Shipping Weight
		L mm	W mm	M mm	H mm	A mm	B mm	Height mm	Length mm	S mm	S mm	Kg	Kg
3181	1	1400	650	1000	450-800	665	80	145	1400	240	380	200	80
3182	2	1500	650	1000	450-800	665	80	145	1400	240	380	200	81
3183	3	1600	650	1000	450-800	665	80	145	1400	240	380	200	82
3184	4	1700	650	1000	450-800	650	80	145	1400	240	380	200	83
3185	5	1800	650	1000	450-800	650	80	145	1400	240	380	200	84
3186	6	1900	650	1000	450-800	650	80	145	1400	240	380	200	85

4.0 FOR YOUR SAFETY

	STOP!
Please read these instructions CAREFULLY and THOROUGHLY.	


- The patient should **NOT** be left unattended whilst in the product. Always ensure a responsible therapist or carer is in attendance.
- The carer should be familiar with the methods of use before transfer of a patient onto the product
- The height of the product should **NOT** be adjusted when the patient is on the shower stretcher.
- If fitted, ensure the guard rail is in the 'up' position once a patient is on the shower stretcher
- When storing the product vertically (up position), check to ensure that the locking plunger pin is fully engaged, and the winding handle is in its stowed position.
- Regular maintenance checks and cleaning are essential for the safe use of this equipment (see care and maintenance section).
- Always keep this product away from naked flames, cigarettes and sources of heat including open fireplaces, radiators and heaters.
- **DO NOT** fit parts or accessories of other manufacturers to this product unless authorized to do so in writing by Smirthwaite Ltd. Failure to follow these instructions will not only invalidate the guarantee but could make the product dangerous to use. Smirthwaite Ltd will not accept liability for any injury or damage incurred through such malpractices.
- In the unlikely event repair work is required it must **ONLY** be undertaken by Smirthwaite authorized personnel.
- If you believe the product or any fitted accessory to be faulty at any time, **DO NOT USE** – contact Smirthwaite by telephone on +44 (0) 8455 192121.
- This product is CE marked. This certifies that it meets all relevant/applicable European directives.

5.0 SURVEYING AND INSTALLATION

	STOP!
	If in any doubt, ALWAYS seek ADVICE. Always turn screws clockwise to tighten or anti-clockwise to loosen.

5.1 SURVEYING PROCEDURES

- Shower stretchers are often installed in small rooms with limited space. In such circumstances it is vitally important to take accurate measurements of the whole room in question, and make a plan to scale if possible.
- **Ensure that the intended wall for installation is strong enough to support the weight of the stretcher plus the patient.**
- If the wall is of brick or concrete construction it will be strong enough to support the equipment without need of the backing board.
- If the wall is of hollow or soft insulation block construction, then we would always recommend the backing board is used.
- Check for the position of dado rails, window sills, electrical power points, switches, etc. which may adversely affect the installation.
- Check there is sufficient room around other facilities, e.g. wash basins, toilets, etc.
- Remember to take into account the guard rail dimensions (accessory).
- Check that access to doorways is still possible.
- Inspect the wall to see if padding/spacing is required to correct wall imperfections.

	STOP!
	If in any doubt, ALWAYS seek PROFESSIONAL ADVICE.

5.2 INSTALLATION TOOLS REQUIRED

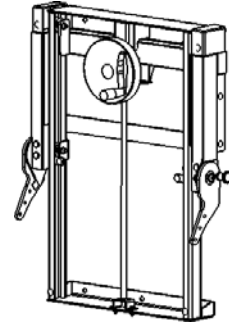
- Electric drill, with appropriate drill bits for wood and masonry
- Set of spanners
- Tape measure
- Spirit level
- Hammer
- Screw driver set and hex key set
- Personal Protection Equipment (PPE); gloves, safety glasses.

5.3 INSTALLATION PROCEDURE

- Carefully unpack the shower stretcher and lay all parts on to the floor.
- Check all component packs are present
- Check all components for damage that may have occurred during transit

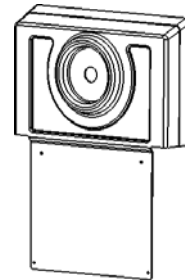
Wall Frame Assembly

Qty: 1



Wall Frame Cover

Qty: 1



Hand Wheel

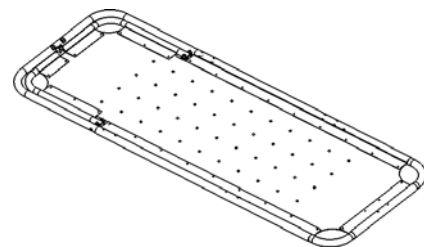
Qty: 1



Stretcher Frame^{1,2}

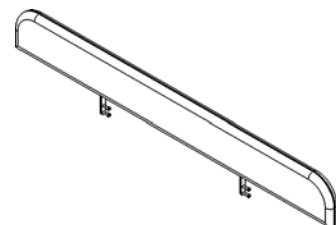
Qty: 1

1. Frame will vary dependent upon length chosen
2. Frame will vary if headrest accessory is chosen



Safety Guard Rail³

3. Accessory item




Fixing Kit⁴

Qty: 1

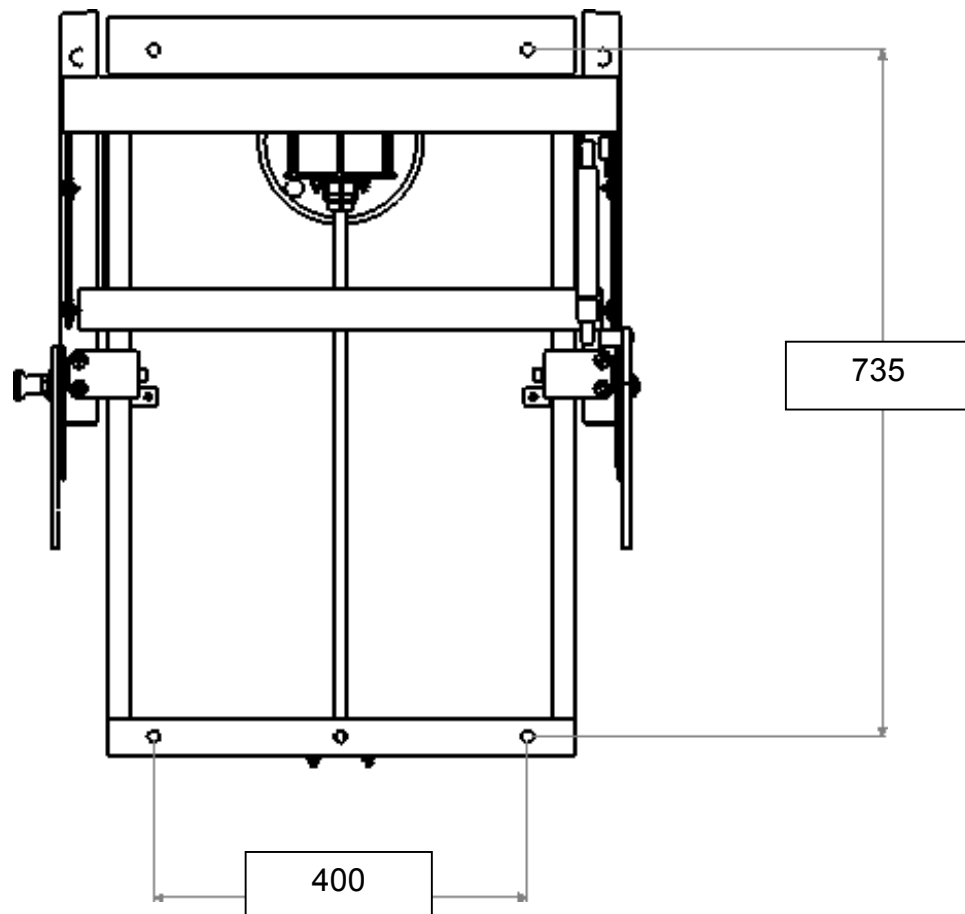
4. Exact contents may vary from illustration



5.3 INSTALLATION PROCEDURE (Cont)

	STOP!
	Due to the size of this product, it is recommended installation is undertaken by two persons

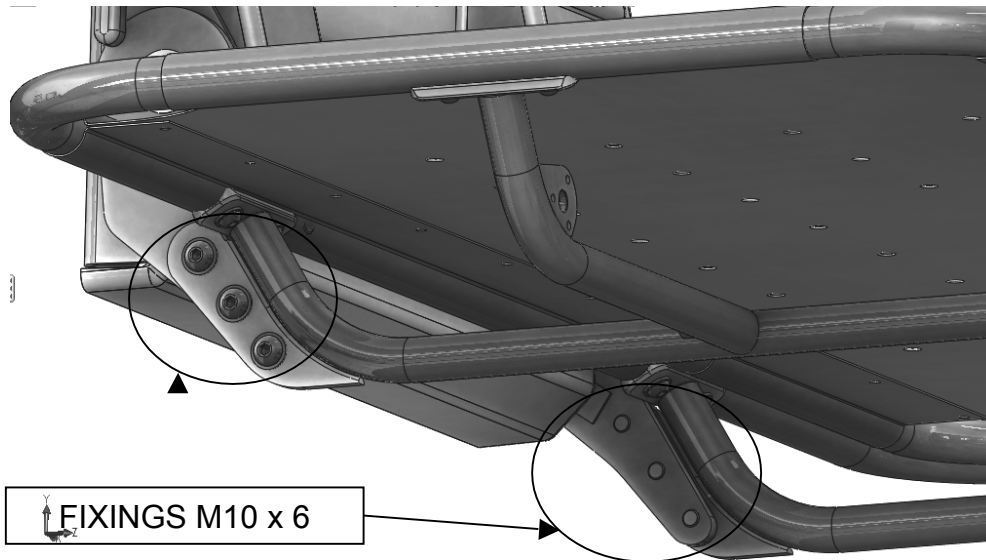
- Store the stretcher frame, cover and backing board (if ordered) somewhere safe.
- Position the wall frame assembly level on the desired wall at an appropriate height, ensuring you have checked for clearances as described before.
- The bench can be positioned above a bath to aid water collection, or simply fastened to a wall in a suitable wet room. Always check to ensure there is adequate clearance between the assembly and the bath when the shower bed is in its lowest position.
- Mark and drill the holes for the fixings.



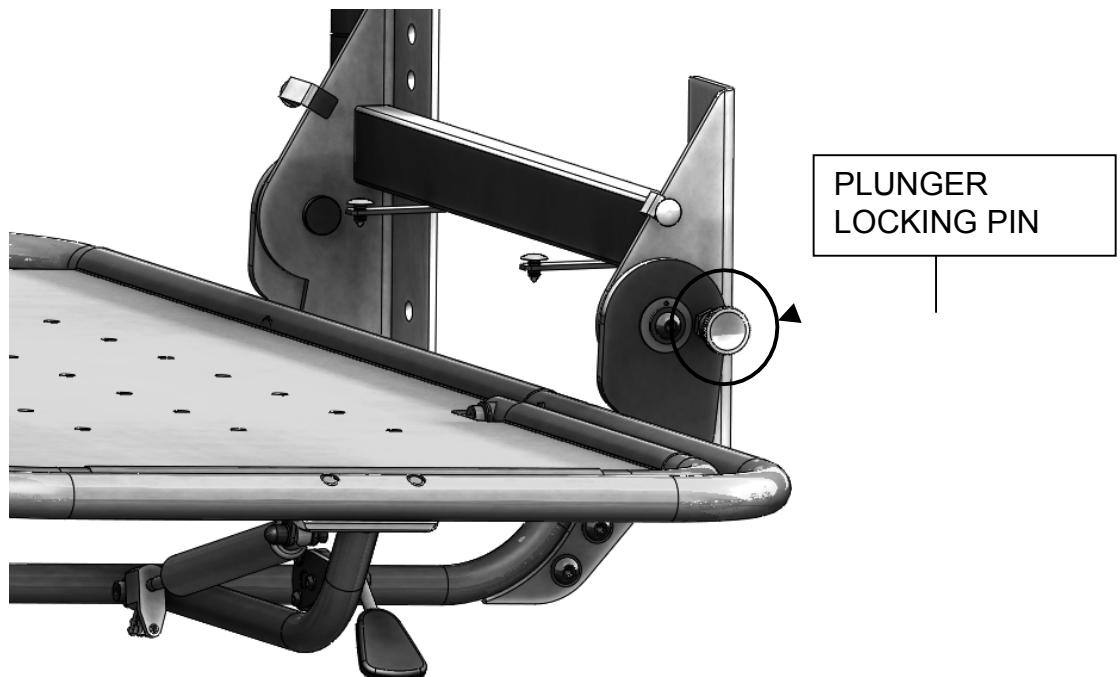
- Where a backing board is to be used, it should be drilled to take a minimum of 8 fixing screws – check screws do not interfere with the wall frame assembly once mounted.
- Fix the frame assembly to the wall, checking the wall frame assembly is level and vertical before tightening the fixings – use packing if required.

5.3 INSTALLATION PROCEDURE (Cont)

- Offer up the stretcher frame to the wall bracket assembly, fixing into place using 3 screws per side as shown below (M10 x 20mm screws, total quantity 6)
- Ensure the screw fixings are tight

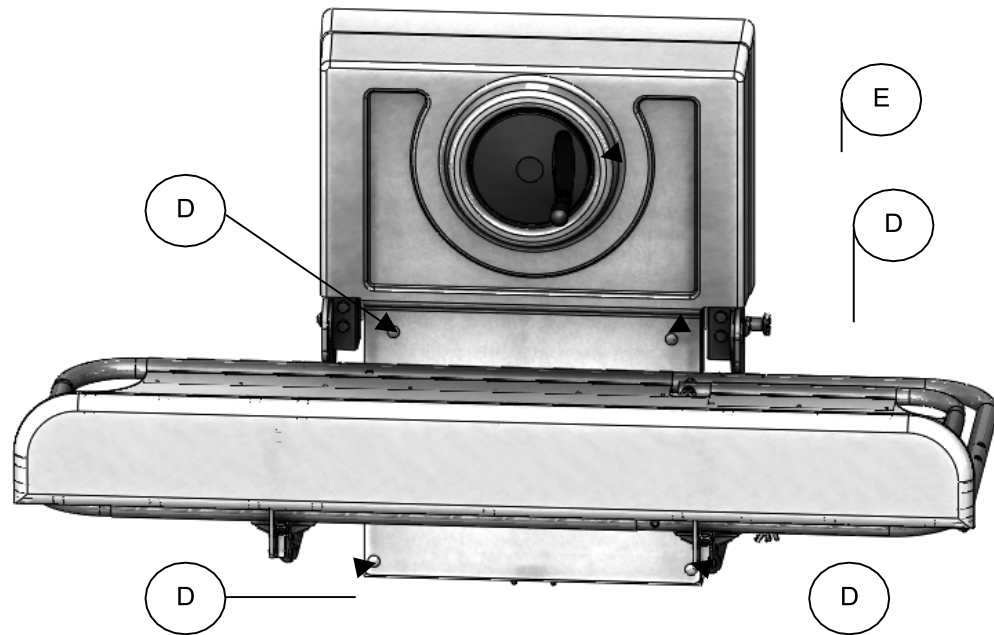


- Check that the stretcher frame can be rotated from horizontal to vertical without obstruction.
- Check that the stretcher frame can be stored securely vertically using the plunger locking pin (circled below). To return the stretcher to horizontal, pull the plunger locking pin, and rotate the stretcher downwards.



5.3 INSTALLATION PROCEDURE (Cont)

- To complete installation, it is necessary to fit the wall frame cover to the wall frame assembly and fit the hand wheel into place.
- Offer up the cover to the wall frame assembly and secure in place with 4 push fixings (D) as shown below



- Fit the hand wheel (E) to the spindle and secure in place with a M8 x 16, and 1 x M8 flat washer. Operate the hand wheel to ensure the shower stretcher raises and lowers satisfactorily. Press in place the plastic dust cap.

5.4 SHOWER STRETCHER HEAD REST ACCESSORY

If the customer has specified on order a head rest accessory, this will be fitted to the shower stretcher at the time of manufacture at the factory. See section 6.0 for instructions on use.

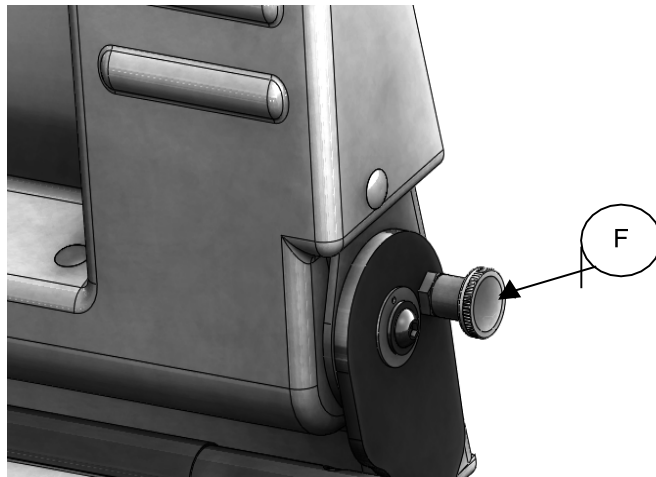
5.5 SAFETY GUARD RAIL ACCESSORY

If the customer has specified on order a guard rail accessory, this will be fitted to the shower stretcher at the time of manufacture at the factory. See section 6.0 for instructions on use.

6.0 HOW TO USE YOUR SHOWER STRETCHER

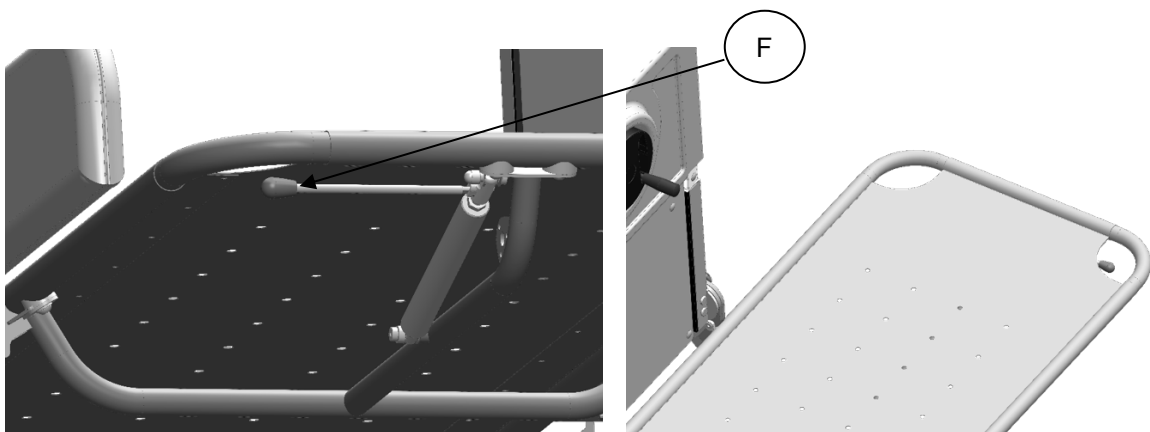
6.1 GENERAL USE AND STORAGE

- Where space is at a premium, the stretcher should always be stored vertically when not in use.
- By rotating the stretcher vertically, it will automatically lock into the stored position. Ensure the winding handle is in its stowed position.
- To return the stretcher to horizontal for use, pull plunger pin (F), and rotate the bed to horizontal.
- To adjust the height of the shower stretcher, simply rotate hand wheel (E) until the bed reaches the desired height setting.



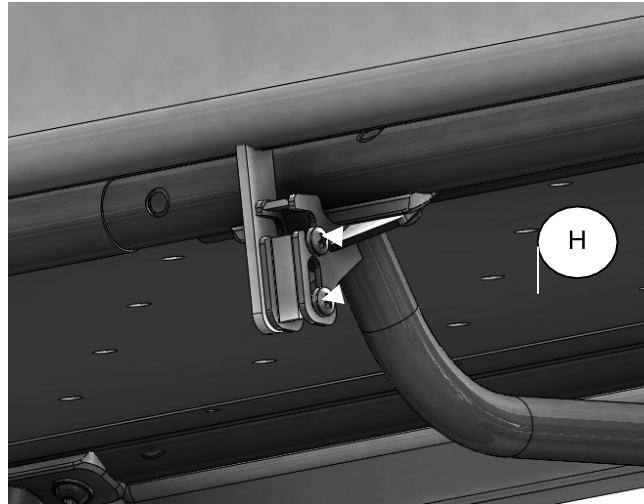
6.2 HEAD REST ACCESSORY

- To operate the head rest, simply pull the head rest lever (F) toward the top of the stretcher and the gas assisted head rest will rise – let go of the lever when the head rest is at the desired angle.
- To lower, simply pull the lever and push the headrest flat.



6.3 GUARD RAIL ACCESSORY

- To operate the guard rail rotate it upwards to vertical position.
- When in the upright position, lift the guard rail to engage the locking pins (H)
- To lower the guard rail, slightly lift the item to disengage the locking pins (H)
- Support the guard rail whilst rotating it underneath the bed, to hang freely.




7.0 CARE AND MAINTENANCE

	IMPORTANT!
	CLEANING IS RECOMMENDED ON A REGULAR BASIS

- To clean the shower stretcher use a damp soft cloth with mild soap.
- Rinse with clean cloth and water.
- DO NOT use solvents, abrasives, synthetic detergents and wax polishes.
- ALWAYS wipe dry after use.
- ALWAYS keep this product away from naked flames, cigarettes and sources of heat including open fireplaces, radiators and heaters.
- For further information please refer to MHRA or Local Authority cleaning guidelines.

7.1 DAILY CHECKS

	IMPORTANT!
	Regular maintenance checks are required

- Check for missing parts
- Check the shower stretcher for signs of damage or wear and tear
- Keep the shower stretcher parts clean
- Check that the guard rail can be stowed and locked into the vertical position (if fitted)
- Check that the head rest can be operated (if fitted).
- Check that the shower stretcher can be securely stored in the vertical position, and that the plunger locking pin engages.

7.2 SERVICE INTERVAL

This product should be serviced every year. Servicing must only be undertaken by a Smirthwaite service engineer, or by a Smirthwaite trained representative.

7.3 NOMINAL SERVICE LIFE

Your product has a nominal service life of 7 years, during which full post-sales support will be available with regard to spares and servicing.

Product service life has been determined based upon the design complexity of product, and the anticipated exposure to normal use.

Good practice dictates all Smirthwaite products have been designed and manufactured to high levels of safety and quality, and will meet requirements of normal use when maintained in line with our servicing recommendations.



STOP!

If the product has been out of use for an extended period of time (6 months or more) it should always be serviced prior to being reissued.

If the product has been subjected to 'heavy' or 'constant' use, the service should be reduced to half the recommended period.

Constant and/or heavy use is considered to be:

- Daily use above 7 hours duration
- Weekly use above 5 days duration
- Monthly use above 10 months per year
- Use by a client who is at 90% to 100% of the maximum weight limit of the product. The maximum weight limit must **NEVER** be exceeded
- Use by a client who is extremely active, either voluntarily or involuntarily

7.4 EXTENDING NOMINAL SERVICE LIFE

We are proud to produce products that have a reputation for quality and durability.

We believe our products have the potential to provide benefits to our clients beyond the nominal service life documented above.

We will continue to provide full support beyond the nominal service life provided the following conditions are met:

1. A full service schedule has been maintained.
2. A full service and inspection is undertaken at the end of the nominal service life period
3. The product is subsequently serviced annually (or biannually if under 'heavy/constant' use conditions)
4. We reserve the right to limit support where parts/components are no longer available

7.5 DOCUMENTATION/RECORDS

- It is the responsibility of the current equipment owner to ensure the 'Instructions for Use' manual and any further manuals for accessories fitted to the equipment are handed over to the new owner at the time of exchange/sale
- It is the responsibility of the current equipment owner to ensure the service and inspection record form is kept up to date

7.6 PRODUCT CONFIGURATION

- We will document and maintain a record of the original product configuration at the time of first sale
- We will not be held responsible for any subsequent changes to this configuration unless authorized to do so in writing by Smirthwaite Ltd
- It is the equipment owner's responsibility to maintain their own records of changes to the equipment configuration and to be able to provide such records to subsequent owners to maintain traceability
- We recommend an inspection/service by a Smirthwaite Service Engineer (or Smirthwaite trained engineer) whenever a significant change is made to product configuration to ensure the product is safe to use. **If in any doubt, ALWAYS seek ADVICE**



IMPORTANT REMINDER!

DO NOT fit parts or accessories of other manufacturers to this product unless authorized to do so in writing by Smirthwaite Ltd.

Any servicing or repairs required must be carried out by Smirthwaite Ltd (or a Smirthwaite trained engineer).

If you believe this product to be faulty – DO NOT USE – Contact Easy Care Ltd on T: +44 (0) 2380 420678

If in any doubt, ALWAYS seek ADVICE.



www.easycare systems.co.uk

Contact Us

Units 5 and 6 Lower Vicarage Road
Southampton
Hampshire
SO19 7RJ
T: 02380 420678
E: info@easycare systems.co.uk