



This document includes the following models:
Height Adjustable Shower Trolley with Liner (1500mm)
Height Adjustable Shower Trolley with Liner (1700mm)
Height Adjustable Shower Trolley with Liner (1900mm)

CONTENTS

1.0	Safety Instructions and Warnings	4
1.1	Introduction.....	4
1.2	Manufacture.....	4
1.3	European Authorised Representative	4
1.4	Symbols Used	5
1.5	Contraindications / Limitations.....	6
1.6	Intended Use	6
1.7	Warning Notes	7
1.8	Operating Environment.....	7
2.0	Components / Key Parts	8
3.0	Assembly instructions	9
3.1	Unpacking.....	9
3.2	Unboxing Shower Trolley	9
3.3	Shower Trolley Assembly	10
3.3.1	Liner and Drainage Pipe	10
3.3.2	Head Rail and Foot Rail	11
3.3.3	Final Assembly	11
4.0	Operating instructions	12
4.1	Manoeuvring the Shower Trolley.....	12
4.2	Brakes	12
4.3	Head Rail and Foot Rail	12
4.4	Height Adjustment	13
4.5	Side Rails.....	13
4.5.1	Closing the Side Rails.....	13
4.5.2	Opening the Side Rails	13
5.0	Technical Specification.....	14
5.1	Freeway Height Adjustable Shower Trolley Dimensions	14
5.2	Specifications.....	16
5.3	Expected Product Lifetime	16
5.4	Standards Applied	16
6.0	Environmental - Storage and Operating Conditions.....	17
6.1	Normal operating conditions	17
6.2	Shipping and storage conditions	17

7.0	Disposal	17
8.0	Fault Finding.....	18
9.0	General Inspection, Maintenance and Cleaning.....	19
9.1	Service	19
9.2	Inspection	19
9.3	Cleaning.....	20
9.3.1	General cleaning	20
9.3.2	Disinfecting (if necessary)	20
10.0	Warranty	22
11.0	Service Record History	23

1.0 Safety Instructions and Warnings

1.1 Introduction



Please read and understand this manual in its entirety before using your Freeway Height Adjustable Shower Trolley.

The information in this manual is important for the safety of anyone near the Shower Trolley and must be read and understood to help prevent injuries. It is also crucial to the proper operation and maintenance of the Shower Trolley.

Should any questions arise from reviewing this manual, contact your local authorised representative.

Failure to comply with warnings in this manual may result in; injury to the operator and/or client and/or damage to the Shower Trolley.

Store this manual with the documents included with the Shower Trolley. Contents of this manual are subject to change without prior written notice.

If, during the use of this device or as a result of its use a serious incident has occurred, please report it to the manufacturer and to your national authority.



Do not attempt to use this equipment without first understanding the contents of this manual.



Unauthorised modifications on any Prism Medical UK product may affect its safety. The manufacturer will not be held responsible for any accident, incident or deficiencies of performance that occur as a result of any unauthorised modification to its products.

1.4 Symbols Used

The Table below includes all Symbols from BS EN ISO 15223-1:2016 that can be found in this Manual and on the Product and what they represent. Refer back to this Table when you are unsure of what a symbol represents.













	Consult instructions before use		Caution – see instructions for use
	Manufacturer	SWL	Safe Working Load represents the maximum load rated for safe operation
	Packaging indicator – This way up		Date of manufacture
	Serial number		Packaging indicator – Keep dry
	Please observe local laws on recycling		For internal use only
	Temperature range	IP_{N₁}N₂	Degree of protection provided by enclosure. N ₁ : Ingress of particles N ₂ : Ingress of water
	Humidity range	MD	Medical Device
	Catalogue number	EC REP	European Authorised Representative

Table 1

1.5 Contraindications / Limitations

There are no known “contraindications” associated with the usage of the Freeway Height Adjustable Shower Trolley, provided they are used as per manufacturer’s recommendations and guidelines. However, it is recommended that a client specific assessment is completed by a trained and knowledgeable health care professional to determine the method of transfer.

Prism Medical UK does not recommend a required number of care givers for the use of our products. This information and recommendation can only be provided after a thorough personalized, case specific assessment, as there are many factors that can influence these decisions.

1.6 Intended Use



For internal use only.

With a safe working load of 200kg, the Freeway Adjustable Height Shower Trolley is an easy to manoeuvre and easy to use hygiene solutions for caregivers and immobile patients. The Shower Trolleys assist patients to transfer from a bed to the shower and back again, as the Trolley is designed for shower room environments. The Trolley provides a safe process which involves no manual lifting. The Shower Trolley provides access to showering facilities for those with limited mobility, reducing risk of injury to the patient and caregiver. The Shower Trolley will provide complete safety, dignity and comfort to the person being transferred.

The easy to use trolley is designed to be operated by both professional health care workers and home health care workers who may not have a specific range of skills in health care. Typical home care users may include, but is not limited to, teachers, medics, paramedics, carers, family and friends. Focusing on the dignity and wellbeing of the person being moved, the simple to use trolley maximises the amount of care provided to the person.

The Shower Trolley has the option of height adjustments, allowing a height range of 600mm to 925mm. This allows the caregiver and patient the ability to choose their favoured height which will assist the caregiver to work in the safest possible position which will reduce the risk of injury to themselves and the patient.



The device is used under instruction, and the operation of the aid is undertaken by a trained carer.

A risk assessment must be performed before using the Shower Trolley, to ensure safe use can be established.

- The Freeway Height Adjustable Shower Trolley is intended to support a recumbent patient for bathing, showering and/or changing
- The Shower Trolley is indicated for use by anyone requiring bathing, showering and/or changing due to disability or injury, but the user must be within the specified weight limit of 200kg.
- The Freeway Height Adjustable Shower Trolley is intended to be installed on a flat and levelled surface prior to use.
- The Shower Trolley must be installed only by persons authorized by Prism Medical UK or who have the rights to install and commission the Shower Trolley safe for use.
- Under no circumstance should the Freeway Height Adjustable Shower Trolley or entire system be put in control of a person who has not been properly trained in the use and care of this equipment. Failure to adhere to this warning may result in serious injury to the operator, and / or the individual being transferred.
- In facilities where more than one operator will be responsible for using the Shower Trolley, it is imperative that all such members be trained to use the Freeway Height Adjustable Shower Trolley. A training program should be established by the facility to acquaint new operators with this equipment.

- The Freeway Height Adjustable Shower Trolley, is not a toy. Do not use it for unsafe practices. Do not allow children to play with the Shower Trolley or any of its components.
- Your guarantee is void if persons unauthorized by Prism Medical UK perform work on the Shower Trolley.
- To maintain optimum function, the Freeway Height Adjustable Shower Trolley should be inspected and maintained on a regular basis. See section 'General Inspection, Maintenance and Cleaning' within this user manual.
- The Freeway Height Adjustable Shower Trolley is only intended for bathing a person, and short distance transfer to the bathing facilities. Prism Medical UK will not be responsible for any damage caused by the misuse, neglect or purposeful destruction of the Unit, and/or its associated components.
- The Shower Trolley and its associated parts are certified to a maximum load of 200kg. Do not exceed the maximum rated load of any of the components.
- Ensure that a clear space is maintained around the Shower Trolley. Before performing a transfer, check for and move all obstacles out of the way.
- In areas where children are prone to be present be vigilant when carrying out a transfer.
- When the Shower Trolley is not in use, apply the castor brakes to prevent unwanted lateral movement.



You may need to seek specialist advice on how to assist some people with specific bathing needs. Sources of advice include, but is not limited to, professional bodies and organisations, occupational therapist, physiotherapists, manual handling advisers and ergonomist with experience in health and social care.

1.7 Warning Notes



Your Freeway Height Adjustable Shower Trolley has been manufactured and tested to exceed BS EN 12182:2012. This does not mean that it can be used without care. ALL OPERATORS should have read the operating instructions and appreciate this warning section.

1. ALL Shower Trolleys are less stable on sloping surfaces. A 5-degree slope is the maximum permitted angle of intended use, this is relevant to both Transfer and Non Transfer Positions.
2. ALL Shower Trolleys are dangerous to the person being transferred when used recklessly or pushed at speed.
3. Surface temperatures can increase or decrease if exposed to external sources of heat or cold – This could be direct sunlight coming through the window over a duration of time.

1.8 Operating Environment

The Freeway Height Adjustable Shower Trolley is intended for use within the professional health care facility environment as well as the home health care environment. The Shower Trolley is not suitable for any other environment or special environments.

The Shower Trolley is not intended to be used in environments where there are rapid changes in the environmental temperature and humidity during intended use.

2.0 Components / Key Parts

Please see below to familiarise yourself with the components of the Freeway Height Adjustable Shower Trolley. The image below show the contents of the Shower Trolley. If you have not received all the components contact Prism Medical UK dealer immediately – contact details are provided on the last page of this manual.

Item	Description	Item	Description
1	Support Frame	8	Drainage Pipe (with fixings)
2	Liner	9	Side Rail
3	Foot Rail	10	Side Rail Locking Mechanism (Pin)
4	Head Rail	11	Base
5	Product Label/Serial Number	12	Hydraulic Jack
6	Plug	13	Height Adjustment Lever
7	Braked Castors		

Table 2

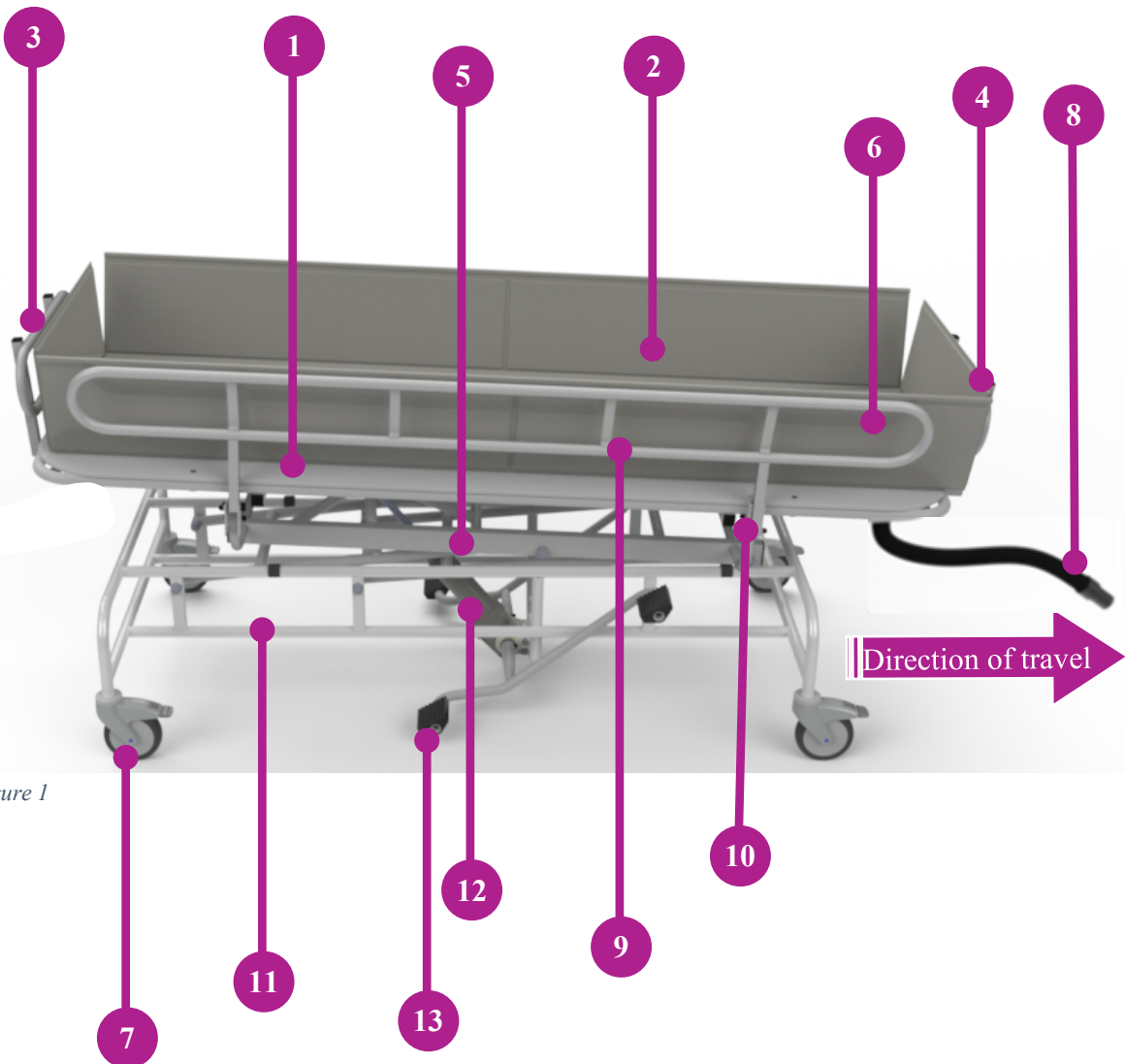


Figure 1

3.0 Assembly Instructions

3.1 Unpacking



The Shower Trolley weighs 65kg which is a load too heavy to be lifted by one person. Items weighing 20kg or more requires a two person lift. It is recommended that the Shower Trolley is not lifted during unpacking, but the box being removed around the Trolley.



The Shower Trolley will arrive to you in a robust box, please be careful when removing the components from the box. Please read the user guide in full before operating.

This user manual should be kept safe for future reference.

The Shower Trolley has been specifically designed to be installed in both the professional and home health care environments.

No matter the environment, health and safety factors should be considered to ensure the safety and essential performance of the Shower Trolley and to avoid unnecessary damage or injuries to people within the area of the Shower Trolley.

The environment in which the Shower Trolley is situated in, whilst carrying out a transfer, is required to be on a flat surface with no steep inclines.

3.2 Unboxing Shower Trolley



When using a sharp knife, be careful not to damage the product.

This section will summarize the layout of the Shower Trolley Packaging and what is included in the Box. It is recommended a knife is used for smoother unpacking of the Shower Trolley. The Shower Trolley is packed into a single box (2000x810x680) weighing approximately 70kg

Using a knife to open the box around the perimeter, the box should open, and the internal packaging must be removed to access the Shower Trolley. It will include all the following components. It is recommended that the components are removed in the numerical order below.



Figure 2

1. Liner
2. Drainage Pipe and Fixings
3. Head/Foot Rails
4. User Manual



Figure 3

Once the components are removed, cut open the box around the Trolley to remove without lifting. Then:

- Remove the Shrink Wrap from the Shower Trolley.
- Remove the Liner and Rails from the bubble wrap packaging.

3.3 Shower Trolley Assembly

3.3.1 Liner and Drainage Pipe



The Shower Trolley should be fully unpackaged prior to assembly.

- A. Place the Liner onto the Support Frame of the Shower Trolley with the plug hole marrying up with the Support Frame hole. (Figure 4)
- B. Position the Large Plastic Spacer as shown in figure 5. Ensure the face with the cut out is facing upward, against the support frame.
- C. Position the black rubber spacer directly below the plastic large plastic spacer.
- D. Attach the threaded Pipe fixing by rotating anticlockwise until it is secure and tight. (See Figure 6)



Ensure the threaded pipe fixing is secured tight to avoid inadvertent detachment.

- E. Attach the pipe by rotating the thread anticlockwise until it is secure, use the plastic grip attachment to fully secure the attachment. (Figure 7)
- F. Fit the Plug once the pipe assembly is complete. (Figure 8)



Ensure the pipe is secured tight to avoid inadvertent detachment or water leakage during operation.

NOTE: To disassemble the Shower Trolley Drainage Pipe and Liner, simply follow the pervious steps in reverse.

Ensure the Shower Trolley Drainage Pipe is securely attached to the Support Frame/Liner.

Ensure that the Plug is fitted into the drain hole once the assembly is complete.



Figure 4



Figure 5



Figure 6



Figure 7



Figure 8

3.3.2 Head Rail and Foot Rail

The Assembly of the Head Rail and Foot Rail are identical, follow the instructions below for both components.

- A. Loosen the Star Handles on either side of the Head/Foot Rail attachment slots, which are already positioned in the Support Frame. There is no need to fully remove the Star Handles, see figure 9.
- B. Slide the Head/Foot Rail into the slots, ensure the rail is correctly orientated, with the rail facing upward as shown in figure 10.
- C. Tighten the Star Handles to secure the Rails. The rail position can be adjusted to preference. (Figure 11)



Figure 9



Figure 10



Figure 11

3.3.3 Final Assembly

- A. Close the Side Rails to position the Liner on the Support Frame tidily as shown in figure 12. To close the side rails, refer to section 4.5.1.
- B. To complete the assembly, attach the buttons at each corner of the liner for a perfect fit. (Figure 13)



Figure 12



Figure 13

4.0 Operating Instructions



The Shower Trolley may be heavy for users and will need to be lifted with care, please operate the device with the use of the castors wherever possible to prevent any injury.

Appropriate training in bathing procedures should be undergone by any person operating the Shower Trolley, for their own and the client's safety and comfort. These instructions are designed to cover the methods of using the Shower Trolley.

4.1 Manoeuvring the Shower Trolley

- A. To manoeuvre the Shower Trolley, hold onto the handle bar and push forward, the designated handle bars are the Head Rail and Foot Rail, side rails can be used but are not recommended for longer distance transporting.
- B. To manoeuvre the Trolley in the Forward Direction of Travel, the Head Rail must be used as the Handle.
- C. To rotate the Shower Trolley, ensure both hands are used on the Head Rail to control the product. Alternatively, it is possible to rotate the Shower Trolley by applying a single brake, which will allow the User to rotate the Shower Trolley around the Castor. This manoeuvring must be done with a smooth, slow action to avoid discomfort to the patient. See section 4.2 on how to activate the brakes.
- D. When manoeuvring the Trolley longer distances (from room to room), the transport position should be used at all times. The definition of Transport Position is the Shower Trolleys minimum height.

4.2 Brakes

- A. The Freeway Height Adjustable Shower Trolley has four braked castors.
- B. The castors should/can be applied when parking, adjusting the Trolley height, avoiding lateral movement, using to rotate the Trolley and as an emergency stopping system.
- C. To apply the brake, simply press the lower end of the brake pedal down with your foot (as shown in figure 14).
- D. To release the brake, simply press the top end of the brake pedal down with your foot (as shown in figure 15).



Figure 14



The castors should be applied when adjusting the height of the Shower Trolley. The castors should be applied when the Shower Trolley is not in use.



Figure 15

4.3 Head Rail and Foot Rail

The Head Rail and Foot Rail can be adjusted inward and outward to suit personal preference. The Rails are important as they ensure the patient is secure and cannot fall from the support frame. The Head Rail and Foot Rail are also important as they hold the liner in place, which will allow water to accumulate on the mattress support. The Head Rail and Foot Rail are at either end of the support frame and are identical.

To adjust the Rails, follow the guidance below:

- A. Loosen both Star Handles until the Rail is loose, turn clockwise. (Figure 11) Do not fully remove the Star Handles
- B. Once loose, slide the rail inwards and outwards as shown (figure 16).
- C. When a position is chosen, tighten the Star Handles anticlockwise until the Rail is secure.



Do not fully remove the Star Handle, the Star Handle is a small part and can be hazardous when children are about. If removed, ensure to fit the Handle back immediately by following the guidance of step C.



Figure 16

4.4 Height Adjustment

The Shower Trolley includes a height adjustment function which can adjust the height of the support frame from 860mm to 1185mm. This function allows the carer and patient to select their most comfortable and preferable support frame height, while operating the Trolley under normal use.



When operating the height adjustment system, keep hands and other body parts away from the moving parts below the support frame, there is a potential of crushing and entrapment if not careful.

To operate the Height Adjustment function, follow the guidance below:

- A. Press down the upper foot lever with your foot (as shown in figure 17). This will begin to increase the height of the support frame.
- B. Once the lever has been fully operated, release the lever and it will raise back to its original height.
- C. Repeat Step A and B until the desired height of the support frame has been reached.
- D. When the Trolley is at its maximum height, it will be noticeable that the lever operation no longer increases the height.
- E. To lower the height, simply press your foot down on the lower foot lever (as shown in figure 18).
- F. Hold your foot on this pedal until the desired height of the support frame has been reached.
- G. When the Trolley is at its minimum height, it will be noticeable that the lever operation no longer decreases the height.



Figure 17



Figure 18

4.5 Side Rails

The Side Rails ensure the patient does not fall from the mattress support, the side rails are also important as they hold the liner in place, which will allow water to accumulate on the mattress support. The Shower Trolley includes two side rails which function identically.



The Side rails include risk of finger trapping when operating. Use carefully. The Side Rails must always be closed during transport.

The Side Rails must always be closed to accumulate water on the mattress support.

When the Side Rails closed, ensure they have been fitted correctly and cannot become detached. Ensure the pin is fitted at all times.

To operate the Side Rails, follow the guidance below:

4.5.1 Closing the Side Rails

- A. Pivot the Side Rail 180 degrees and slot the flange into the U-Bracket slot as shown. (Figure 19 and 20). Ensure the Side Rail slots into both U-Brackets at either end.
- B. Place the Pin through the slot to secure the rail. (Figure 21).

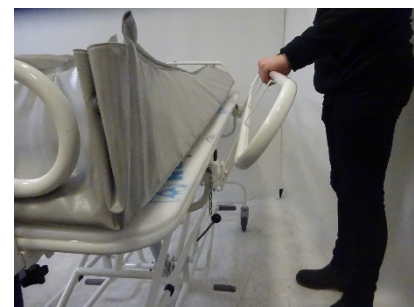


Figure 19

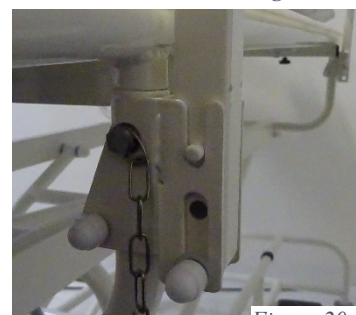


Figure 20

4.5.2 Opening the Side Rails

- A. Remove the Pin from the slot to release the Side Rail. The Pin can be released as it is attached to a chain.
- B. Vertically raise the Side Rail, to lift the groove out of the U-Bracket. Ensure the Side Rail is removed from both securing U-Brackets at either end of the Rail.
- C. The Rail can now be pivoted around and be released gently to rest against the frame as shown.

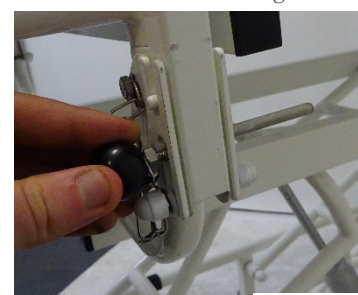


Figure 21

5.0 Technical Specification

5.1 Freeway Height Adjustable Shower Trolley Dimensions

Below are the dimensions of the 1900mm Adjustable Height Shower Trolley.

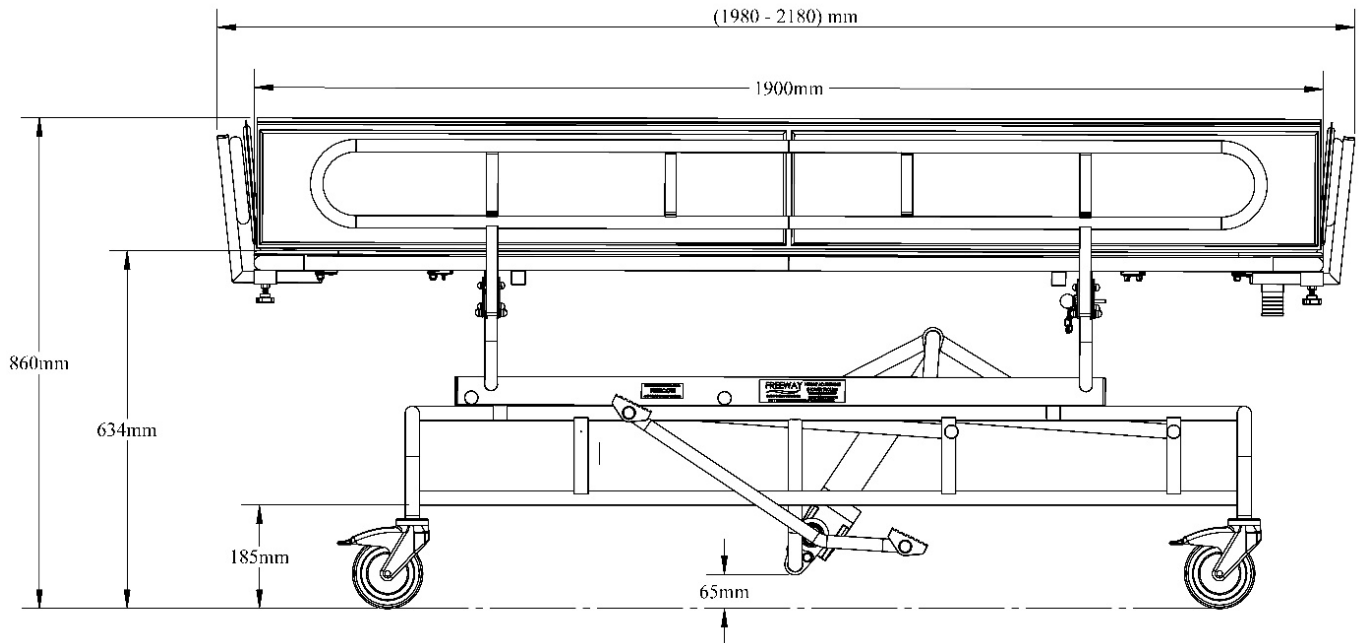


Figure 22

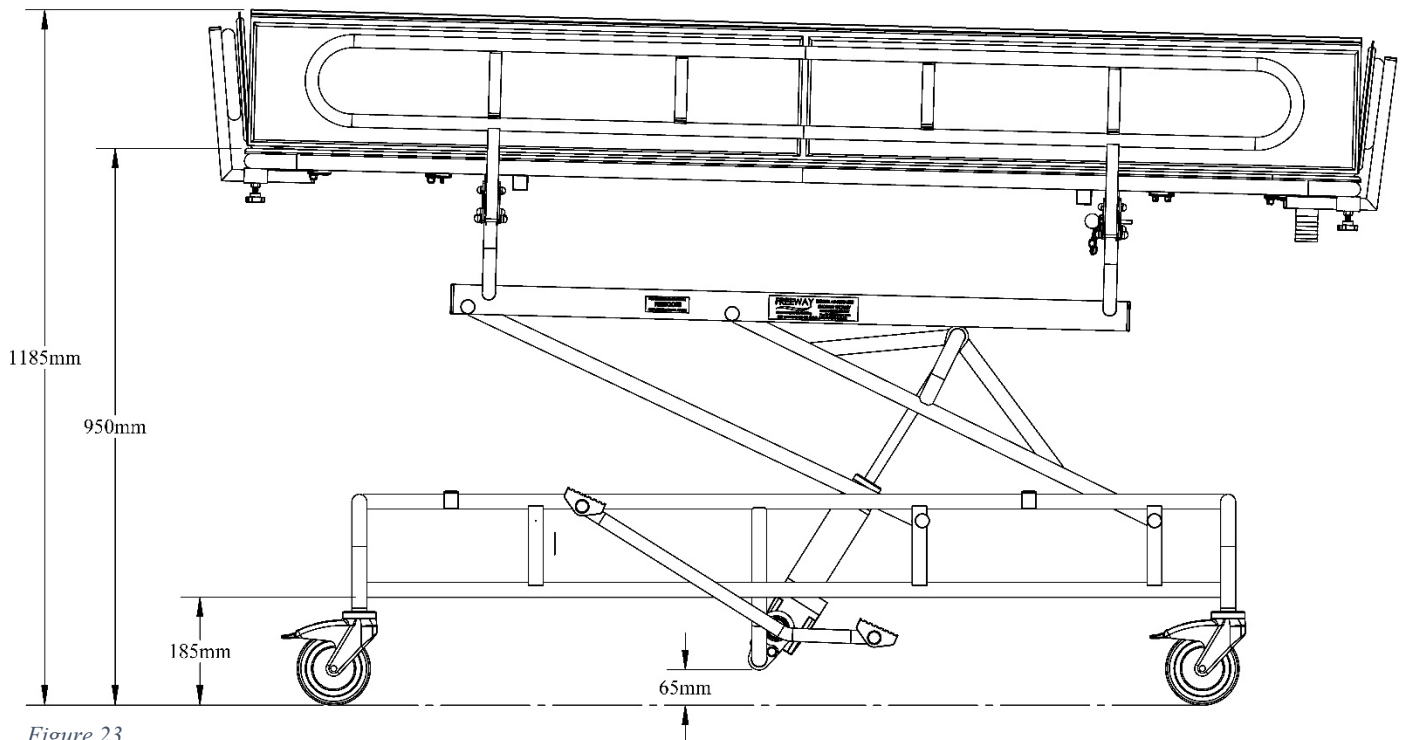


Figure 23

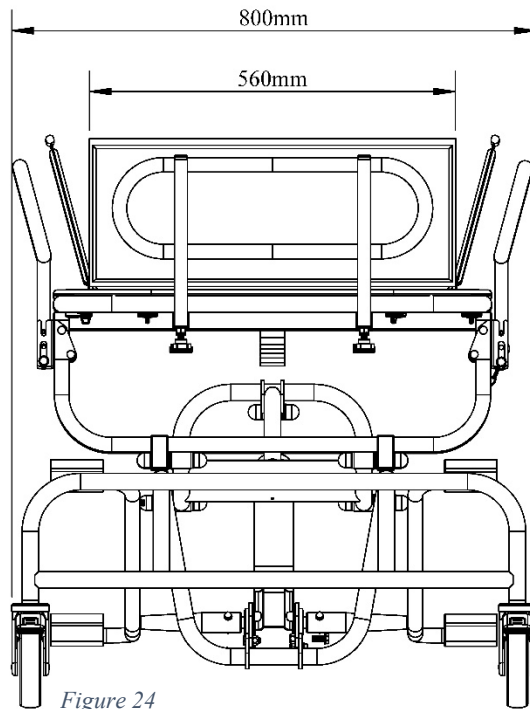
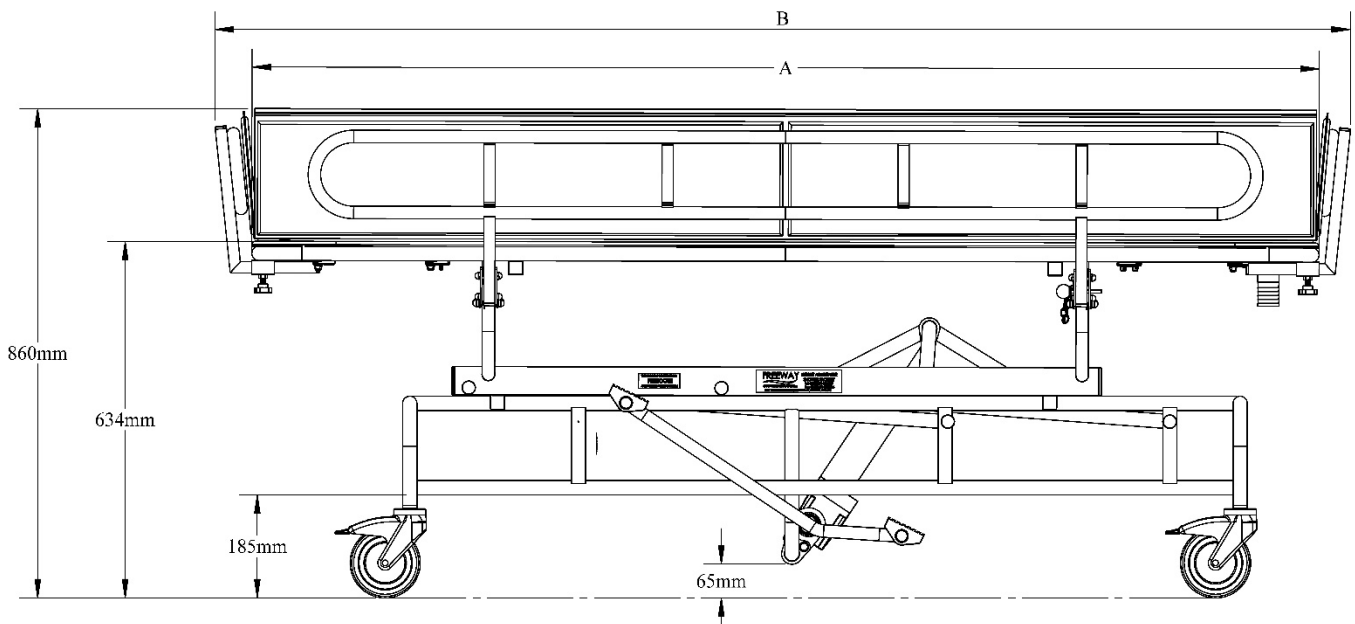


Figure 24

The Drawing below can be used in conjunction with Table 3. This will show the varying lengths between the other Shower Trolleys' included in this Manual.



Description	Min. Height	Max. Height	Inside Length	Min. Overall Length	Max. Overall Length	Inside Width	Overall Width
			A	B (min.)	B (max.)		
AH Shower Trolley - 1500mm	860	1185	1500	1580	1780	560	800
AH Shower Trolley - 1700mm	860	1185	1700	1780	1980	560	800
AH Shower Trolley - 1900mm	860	1185	1900	1980	2180	560	800

Table 3

5.2 Specifications

Dimensions:	
Turning Circle	1640mm
Maximum Height	1185mm
Minimum Height	860mm
Overall Width	800mm
Ground clearance	65mm
Front and Rear Castors	125mm

Table 4

Weights:	
Safe Working Load (SWL)	200 kg
Full Product	65 kg
Singular Side Rail	3 kg

Table 5

Operational Forces:	
Moving Force (with 200 kg)	115N
Moving Force (with 0 kg)	28N
Operation of the Brake	107N
Operation of the Foot Lever (with 0 kg)	75N
Operation of the Foot Lever (with 200kg)	267N

Table 6

5.3 Expected Product Lifetime

10 years depending on usage and compliance to maintenance and service.

5.4 Standards Applied

The standards that have been applied to the device are as follows:

- EN 12182:2012 Assistive products for persons with disability – General requirements and test methods

6.0 Environmental - Storage and Operating Conditions

The Freeway Height Adjustable Shower Trolley is intended for internal use within normal environmental conditions.



It is not intended to be used in environments where there are rapid changes in the environmental temperature and humidity during use.

6.1 Normal operating conditions

+5°C to +40°C (41°F to 104°F) at a relative humidity between 15% to 90% RH, non-condensing but not requiring a water vapour pressure greater than 50hPa and atmospheric pressure between 700hPa to 1060hPa.

6.2 Shipping and storage conditions

-25°C to +5°C (-13°F to 41°F) with any humidity level.

+5°C to +35°C (41°F to 95°F) at a relative humidity up to 90%.

+35°C to 70°C (95°F to 158°F) non-condensing at a water vapour pressure up to 50hPa.

7.0 Disposal



When the Shower Trolley has completed its life cycle and can no longer perform to its intended use safely, the Shower Trolley must be decommissioned by an approved Service Engineer. The following specifies the importance of correct disposal procedure including local laws and being environmentally friendly.

Please observe the local laws on recycling and respect the current laws for disposal within the community the device is being used within. If there is any uncertainty of the below guidelines, contact your local authorities to determine the proper method of disposal of potentially biohazardous parts and accessories.

The relevant components utilised in the manufacture of the device that can be recycled at the end of the device life are:

Fully recyclables:	Consideration when Recycling:
Steel frame	Liner
Support Frame	Hydraulic Actuator
Castors	
Initial packaging of the device (cardboard)	
Metallic fixing – screws etc.	
Side Rails	
Head/Foot Rail	
Drainage Pipe and Fixing Components	

Table 6



The product may be contaminated and has to be disinfected before recycling or disposal. See section 9.3 'Cleaning' for details of how to do this.

8.0 Fault Finding

If a problem arises with the Shower Trolley, the Table below will hopefully assist in determining the fault and what actions you can take. If the fault cannot be found or the fault is found and the action guide does not provide a fix (e.g. – a damaged wire would need replacement), contact your local Prism Medical UK authorized dealer immediately, a service engineer will be required to repair the Shower Trolley. Contact details can be found on the last page of this manual.

Fault	Action
Shower Trolley is leaking water onto the floor.	<ul style="list-style-type: none"> • Ensure the Plug is fitted, and fitted correctly. • Inspect the Plug for damage. • Ensure the drainage pipe is fitted correctly and hasn't become loose. • Inspect the Drainage Pipe for a leak. • Inspect the Liner for any tears or holes.
Castors are not operating as intended	<ul style="list-style-type: none"> • Ensure the Brake has been fully disengaged. • Inspect the Castors for clear deformation which is affecting its function. • Ensure the Castors are not fouled with debris that would restrict its movement, if so, clean out the Castor to resume normal function.
Brakes are not working	<ul style="list-style-type: none"> • Ensure the brakes have been fully engaged with the castor. • Ensure the Castors are on a flat surface and are making contact with the floor.
Shower Trolley Height Adjustment does not function	<ul style="list-style-type: none"> • Ensure the correct foot lever is being used to operate the Actuator, and the correct operation instructions are being followed. • Ensure the Safe Working Load is not being exceeded. • Ensure there are no obstacles that are jamming/preventing the Trolley from adjusting the height. • Inspect the foot lever for clear and obvious damage. • Inspect the Actuator for clear and obvious damage. • Ensure the Actuator has not already reached its maximum/minimum extension.

Table 7

9.0 General Inspection, Maintenance and Cleaning

9.1 Service



No service is to be carried out on the Height Adjustable Shower Trolley while the Trolley is in use.
Service must be completed by a Prism Medical UK authorised Service Engineer.
Do not attempt to service the product yourself, or warranty is void.

To ensure the safety and continued good function of your Shower Trolley, routine service must be performed. Service should be completed by a Prism Medical UK approved service engineer every 6 months to ensure the products required standard is maintained. The service history of the product should be documented each service in the Service Log at the back of this User Manual.



When the Shower Trolley is serviced, the 6 month service checklist must be completed for the Freeway Height Adjustable Shower Trolley.

Service Manual Document Number: 995076.
Spare Parts Manual Document Number 992076.

The Service must be completed every 6 months after installation of the Shower Trolley to ensure the trolley is safe for use. The Freeway Height Adjustable Shower Trolley has an expected Service Life of 10 Years.

Contact your local authorised Prism Medical UK dealer if you:

- Need more information.
- Have any questions about the use or service of your Shower Trolley.
- Notice any change in the performance.
- Want to report an unexpected occurrence.
- Want to arrange a service.
- Need to ascertain necessary information for replacement parts and components.

Contact details of your local Prism Medical UK dealer are shown on the last page of this manual.

9.2 Inspection

Inspection is to be completed prior to each use by the user of the Shower Trolley.



Should any of the components in the table below fail the inspection, DO NOT use the Shower Trolley.
Contact your local authorized dealer for service – contact details are on the last page of this manual.

Ensure all component inspections in the Table below are completed prior to each use of the Shower Trolley.

Check List before Use

Component	Inspection required
Generic	Visual inspection of the external of the Shower Trolley. Significant damage that may affect the function of the Shower Trolley along with a clear safety hazard is unacceptable.
	Check the Labelling on the Shower Trolley to ensure they are all still legible, this includes the Serial Number and other important markings. If labels are not legible, then contact your local authorised dealer immediately.
	Check all main nuts and bolts to see if they are loose, If they are not tight or you have concerns, then contact your local authorised dealer immediately.
Actuator	The actuator should not require maintenance other than checking for correct operation, listening for unusual noise and checking for any damage. Ensure the actuator does not lower when the load is applied.
Side Rails	Ensure the Side Rails are functioning correctly, and can be securely locked in place with the pin.
Head Rail / Foot Rail	Ensure the Star Handles are tight and that the Rails cannot become loose.
Drainage Pipe	Ensure the Drainage Pipe is secured properly and is not leaking. If damaged, seek a replacement.
Plug	Ensure the Plug is either fitted or available when required.
Foot Lever	Ensure the Foot Lever is functioning as intended and safe to use prior to raising the patients' height.
Castors	Check all castor fixing points. Check that each castor runs free and rotates easily. Remove any build-up of hair, fluff, dust etc. Ensure there is no visible deformation to the castors. Any damage will require immediate replacement.
	Check the brake functionality of all the castors.
Pivot Points	Inspect the pivot points of moving parts for any wear that may affect the Trolleys function.

Table 8

9.3 Cleaning

Please follow the cleaning guidelines below on cleaning and disinfecting the Shower Trolley.

9.3.1 General cleaning



It is recommended to clean the Freeway Height Adjustable Shower Trolley before the use by a different patient, reducing the risk of cross-contamination.

The exterior of the Shower Trolley can be cleaned using a damp soapy cloth for general cleaning duties. Please ensure the cloth is damp and not wet. Ensure the exterior of the device is dry after cleaning. Dry using a clean dry cloth.

9.3.2 Disinfecting (if necessary)

Should the Shower Trolley require a more thorough clean, the use of the Actichlor™ disinfectant product (which is widely available in tablet form and used throughout the health care industry) is recommended.



Follow the manufacturer's safety instructions for the use of the cleaning product before use to ensure safe use for the operator and the patient.

Ensure the cloth is damp before the cleaning process.

Application is through a clean damp cloth applied to wipe the device down. Use in the following dilutions to ensure an effective clean:

- Actichlor™ dissolvable chlorine tablets provide a concentration of 1000 ppm of available chlorine (0.1%) per 1 tablet
- 1 tablet (1.7g formed tablet (x1)) will create a virucidal solution, diluted in 1 litre of water to provide effective means to clean a "dirty" device. This is also ideal for use after an outbreak of the Norovirus/winter vomiting and can be used as a precaution against C.Diff. It is effective against viruses, bacteria, spores, yeasts and moulds.
- The contact time against the outer components of the device should be for 5 minutes to prevent any virucidal infections without a degradation to the functionality of the device. 5 minutes is a recommended contact time. The device can withstand a longer contact period but the 5 minute recommendation as a minimum must be followed to provide an effective cleaning regime.
- Blood spills should be dealt with by an increased concentration of the solution – please refer to the instructions on the manufacturers product labelling.

Dilution chart					
Product used as	Device condition	Concentration (ppm)	Dilution qty* (l)	Tablets per 1l (0.26gal)	Contact time (minutes)
Bactericidal	Clean	200	5 (1.32gal)	1	1
	Dirty	1000	1 (0.26gal)	1	5
Yeasticidal	Clean	200	5 (1.32gal)	1	1
	Dirty	1000	1 (0.26gal)	1	5
Fungicidal	Clean	2000	1 (0.26gal)	2	15
	Dirty	5000	1 (0.26gal)	5	15
Mycrobactericidal	Clean	1000	1 (0.26gal)	1	15
	Dirty	5000	1 (0.26gal)	5	15
Virucidal	Clean	500	2 (0.53gal)	1	5
	Dirty	1000	1 (0.26gal)	1	5
Sporcidal (C.Diff)	Clean	1000	1 (0.26gal)	1	10
	-	-	-	-	-
Sporcidal	Clean	5000	1 (0.26gal)	5	10
	-	-	-	-	-
<p>* Dilution is made with water. DO NOT dilute within any other medium.</p> <ul style="list-style-type: none"> • When diluted in water, one tablet gives 1000ppm of available chlorine. • The concentration of the solution depends upon whether the object being cleaned is noticeably dirty (indicated in the table by "Device condition"). 					

Table 9

Handling and storage safety precautions when using this cleaning agent:

Advice on Safe Handling



Avoid contact with skin and eyes.
Do not breathe dust/fumes/gas/mist/vapours/spray.
Use only with adequate ventilation.
Wash hands thoroughly after handling.
Mixing this product with acid or ammonia releases chlorine gas.

Hygiene Measures

Handle in accordance with good industrial hygiene and safety practice. Remove and wash contaminated clothing before re-use.
Wash face, hands and any exposed skin thoroughly after handling.

Conditions for safe storage, including and incompatibilities



Keep out of reach of children.
Keep container tightly closed.
Store in suitable labelled containers.
Storage temperature: 0-25°C (32-77°F).



www.easycare systems.co.uk

Contact Us

Units 5 and 6 Lower Vicarage Road
Southampton
Hampshire
SO19 7RJ
T: 02380 420678
E: info@easycare systems.co.uk

