

closomat®



Closomat Palma Vita  
User Guide

easy&care  
systems

supply • install • service

# Technical data

The Closomat toilet **MUST** be installed by a competent or qualified person.

## Explanation of symbols

- Safety instructions in this manual are identified by symbols. The safety instructions are introduced by signal words, which express the extent of the hazard/risk.
- In order to prevent accidents, personal injury, property damage and guarantee maximum user safety, follow the safety instructions without fail and exercise caution.

## Description of equipment

- The Closomat toilet is an electrically operated shower (wash and dry) toilet designed to provide the operator/user with a hygienic solution to toileting.

## Start-up procedure

- To enable a warm washing cycle operation the Closomat toilet must be switched on. Each Closomat toilet has its own isolation switch. To switch the unit on, locate the switch on the right hand side of the unit at the base of the cistern cover, through a Perspex screen.
- Once switched on, the water will reach core temperature within 5 minutes. It is advised that to maintain the core temperature in readiness for use, the unit be left switched on at all times.

## Electrical services

- To avoid the risk of electric shock, this equipment **MUST** only be connected to a supply mains with protective earthing by a competent or qualified person.

### Mains isolation

- All electrical appliances must be installed in accordance to the relevant regulations associated with the country it is within. To conduct any form of repairs or servicing it is recommended that a mains isolation device be located in the vicinity of the unit.
- 220-240V single phase AC supply is required, (loading 4.5A-4.9A, maximum power 1300 watts). The Closomat toilet is supplied with a 3 core cable attached and **MUST NOT** be removed or replaced. A 10A fused spur is required for isolation.
- Spur outlet to be located in accordance with current I.E.E. Regulations (Current Edition).
- No modification of this unit is allowed other than by the manufacturer.
- **Closomat has IPX4 rating.**

## Shutdown procedure

- For normal isolation, the Closomat toilet can be turned off using the integrated switch. To carry out any servicing, the unit **MUST** be isolated at the mains feed.

## Bathroom/shower room installations

- The Closomat toilet must not be in direct line with the shower spray. Some form of partition between shower and the Closomat toilet is advisable to prevent any water spraying directly onto the equipment.
- A shower should not be used in conjunction with the Closomat toilet i.e. under no circumstances must a user shower whilst seated on the Closomat toilet.

## Water services (WRAS approved)

- **It is essential that the entering water is cold.**
- We would recommend water supply isolated via isolation valve.
- Water supply can be from storage vessel or mains ('Grey Water' **MUST NOT BE USED**).
- Boiler Capacity: 1.7 litres.
- Water rate: min. 8 l/min.  
max. 0.8 MPa (8 bar)
- Cistern capacity: 6 litres.

## Overflow

- The Closomat toilet has an internal overflow which discharges into the W.C. pan through the flush valve.

## Soil connection

- Relevant soil connector to be sourced by installer.
- Soil connections suitable for Closomat toilet; S-Trap (vertical fall) wall to centre of pipe from 70mm-230mm max. P-Trap (horizontal) floor to centre of pipe 200mm max.
- The Closomat toilet is suitable for all turned trap outlets, through purpose made removable side covers on lower level.



## Further notes

- No permanent hand rails or other obstructions should be fitted across the front or top of the unit. The outer casing has to be pulled upwards and forward to remove for servicing purposes.
- Unit not rated for altitude. 2000m is the maximum.
- This application requires an earth connection.
- Environmental conditions – operating ambient room temperature maximum = 40°C.

## Environmental conditions

The Closomat toilet is rated to IPX4 and can be installed and operated within a typical shower/toilet room.

## Infill panel

The infill panel specifications are printed on page 11.

## Classification

Low Voltage Directive BS EN 60335-2-84.

## Cleaning information

- The use of bleach products is not advised due to the exposed stainless metal parts associated with the washing device. (tarnishing may occur).
- The Closomat toilet washing device is designed to self cleanse during and after every use. Normal cleansing of the bowl and outer covers is required.

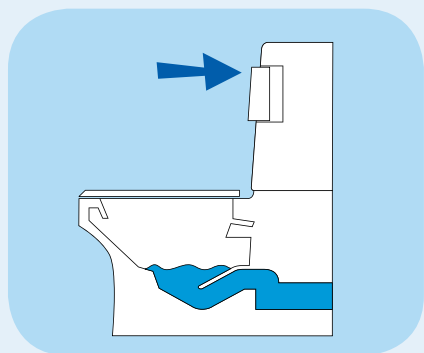
## Maintenance and frequency of serviceable parts

- The Closomat toilet is self-sufficient but it is recommended that a competent experienced Service Engineer carry out a safety check and an annual service of the internal workings, to extend the Closomat's life.

## Risk associated with the waste of equipment after service life

- At the stage the unit is not repairable it can be discarded to any appropriate recyclable plant. There are no immediate risks to the environment.

# User guide



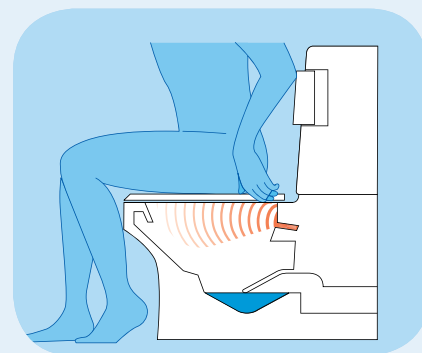
## Flushing

Press either elbow pad whilst standing for conventional flush.



## Washing

Press elbow pad whilst seated and hold down for approximately 10-15 seconds, flushing and warm water washing will then take place.



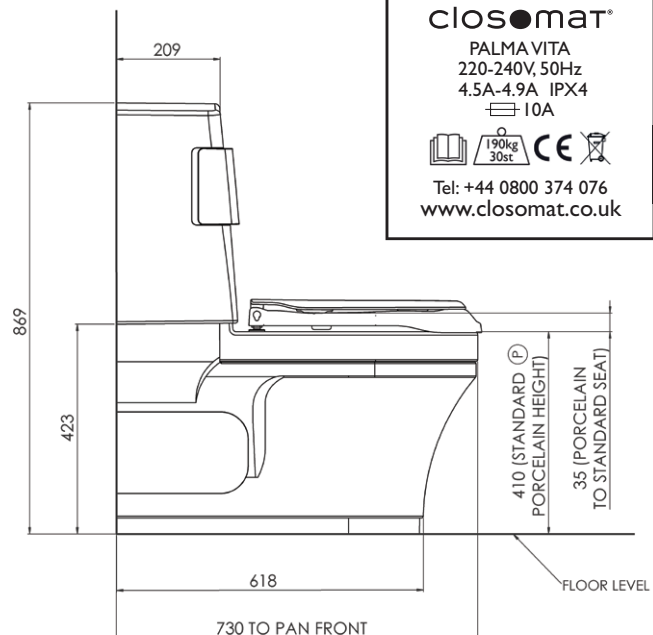
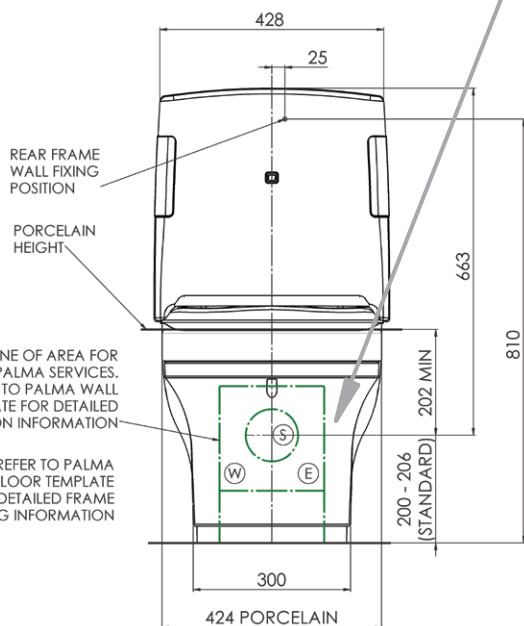
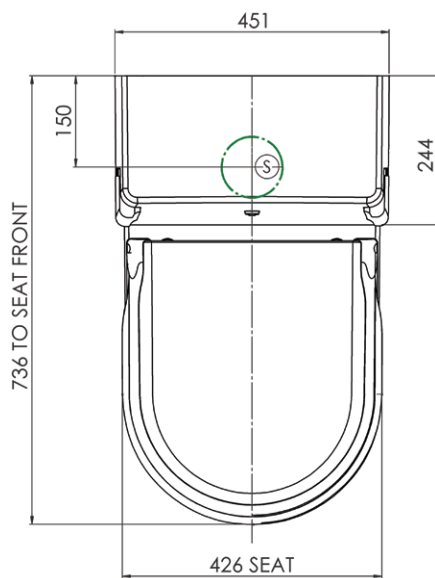
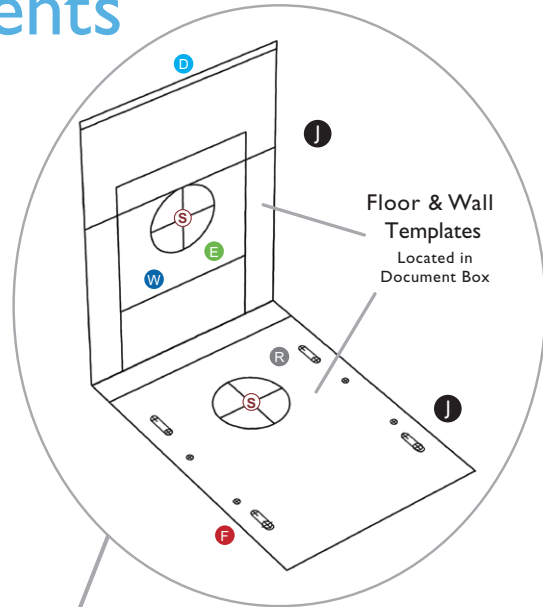
## Drying

Warm air drying automatically follows when elbow pad is released.

# Palma Vita planning data and service requirements

Key / Installation guide:

1. Determine unit height as standard or with optional points (P)
2. Locate floor & wall template jig to plan positions (J)
3. Locate waste pipe / soil position (S)
4. Locate cold water supply (W)
5. Locate electrical supply (E)
6. Use floor template jig for fixing frame (J)



**closomat®**  
 PALMA VITA  
 220-240V, 50Hz  
 4.5A-4.9A IPX4  
 10A



Tel: +44 0800 374 076  
[www.closomat.co.uk](http://www.closomat.co.uk)

- W Water services**  
 Supplied with 15mm Stainless steel braided outer. EDM inner WRAS approved flexible hose. (Please refer to page 2, water services prior to installation)
- E Electrical services**  
 Supplied with 1000mm long, three core (live/neutral/earth) insulated 3183Y-1-white control flex-cable, rated to 220-240V, 4.5A-4.9A. (Please refer to page 2, electrical services prior to installation)
- S Waste details**  
 Pan has a horizontal spigot standard 100mm diameter outlet, suitable for standard pan connection fittings.
- D Rear wall fixing**  
 Position 25mm to RH of the centreline. 810mm from the floor.
- R Rear floor fixing (2No)**  
 (Standards Installations)  
 Position on the floor 102mm from the rear wall. 119.5mm to each side of the centreline.
- F Front floor fixing (2No)**  
 (When using Support Arms)  
 Position on the floor 327mm from the rear wall. 119.5mm to each side of the centreline.

- Safe working load: 190kg/30st
- Overall dimensions: 869mm high x 451mm wide x 730mm deep



Easy Care Systems Ltd.

Units 5 and 6 Lower Vicarage Road  
Southampton  
Hampshire  
SO19 7RJ  
T: 02380 420678  
E: [info@easycare systems.co.uk](mailto:info@easycare systems.co.uk)



Special Products and Service