

TOILET SEAT RAISERS WITH OPTIONAL FOLD-DOWN SUPPORT RAIL SYSTEM FOR ADDED COMFORT AND SAFETY



Bio Bidet with Spacer



Bio Bidet with Spacer and 3-in-1 Rail



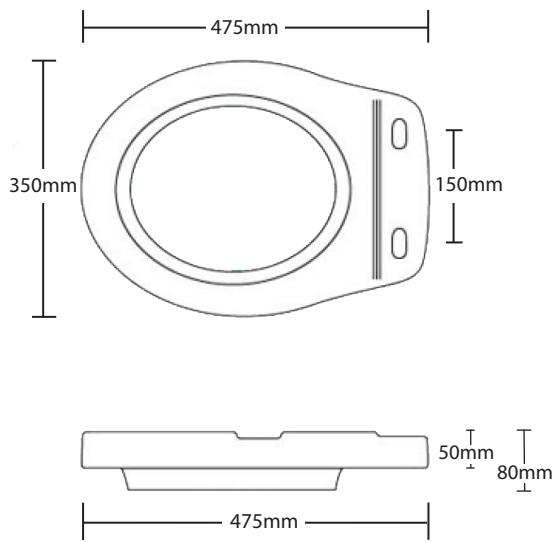
Standard seat with 3-in-1 Rail



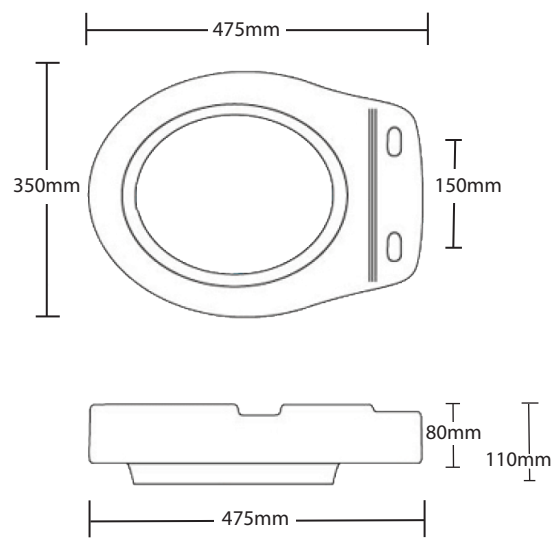
Standard seat with Spacer and 3-in-1 Rail

50mm and 80mm spacers designed for use with Bio Bidet electronic bidet seats or with standard (nuts and bolts fixing) toilet seats

The support arms can also be used with standard (nuts and bolts fixing) toilet seats with or without a spacer



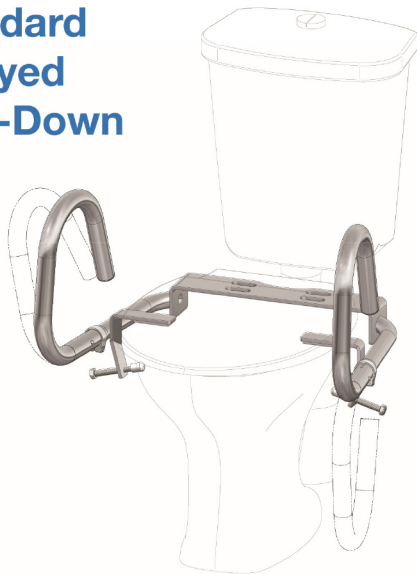
50mm Spacer - SP50



80mm Spacer - SP80

3-in-1 Rail

- **Standard**
- **Splayed**
- **Fold-Down**



The arms on the 3 in 1 Rail System can be adjusted into 3 positions, standard or splayed to suit the user or folded down to facilitate a sideways transfer onto the toilet. They can also be detached and removed when not in use.

When used with a spacer the rail system is rigidly fixed to the toilet pan between the seat and the spacer.

When used without a spacer the rail system can be used with a standard (nuts and bolts fixing) seat and is fixed between the seat and the toilet pan.

The rail system must not be used with the Bio Bidet seat without a spacer.

Specification:

Material: Powder coated steel.

Dimensions: 510mm (standard) or 640mm (splayed) between handles.

Approx. 260mm high above seat/bidet.

370mm back plate internal width.

User weight limit: 120Kg.

easycare
systems

Easy Care Systems Ltd.

Contact Us

Units 5 and 6 Lower Vicarage Road
Southampton, Hampshire
SO19 7RJ

T: 02380 420678

E: info@easycare.co.uk