

Mild Steel and Stainless Steel Cranked Grab Rails

25

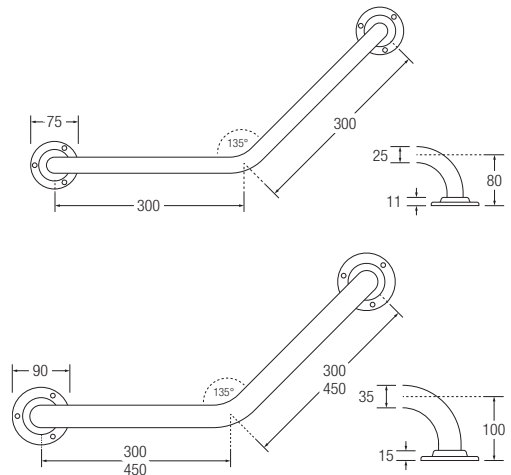
35



25mm 35mm

Mild Steel Stainless Steel

- Creates a more natural angle for the hand, enabling easier movement. Reversible, not handed.
- Mild Steel for use in dry areas.
Stainless Steel for use in wet or damp areas.
- Available in polyester coated, chrome plated, mirror polished and sateen polished finishes. Please specify the RAL colour you require when ordering colours.
- Fixing holes to fit size 8 screws. (Fixings not supplied)



25mm Cranked Grab Rail

White Blue RAL 5011 RAL Colour Mirror Polish Sateen Polish

25mm	MS	300mm x 300mm	17650	On Req.	17655	NA	NA
25mm	SS	300mm x 300mm	32200	On Req.	32205	32240	32250

35mm Cranked Grab Rail

White Blue RAL 5011 RAL Colour Mirror Polish Sateen Polish

35mm	MS	300mm x 300mm	24805	On Req.	25200	NA	NA
35mm	MS	450mm x 450mm	27100	On Req.	27120	NA	NA
35mm	SS	300mm x 300mm	32500	On Req.	32590	32300	32350
35mm	SS	450mm x 450mm	27150	On Req.	27170	27180	27190



Ribbed Grip

Cranked Grab Rails can be manufactured with a ribbed grip. **Please add an 'R' to the end of the product code.** Please note ribbed grips are not recommended for wet environments.



Concealed Fixings

Cranked Grab Rails with concealed fixings are available as part of our Professional range.

Turn to page 29