



WheelAble

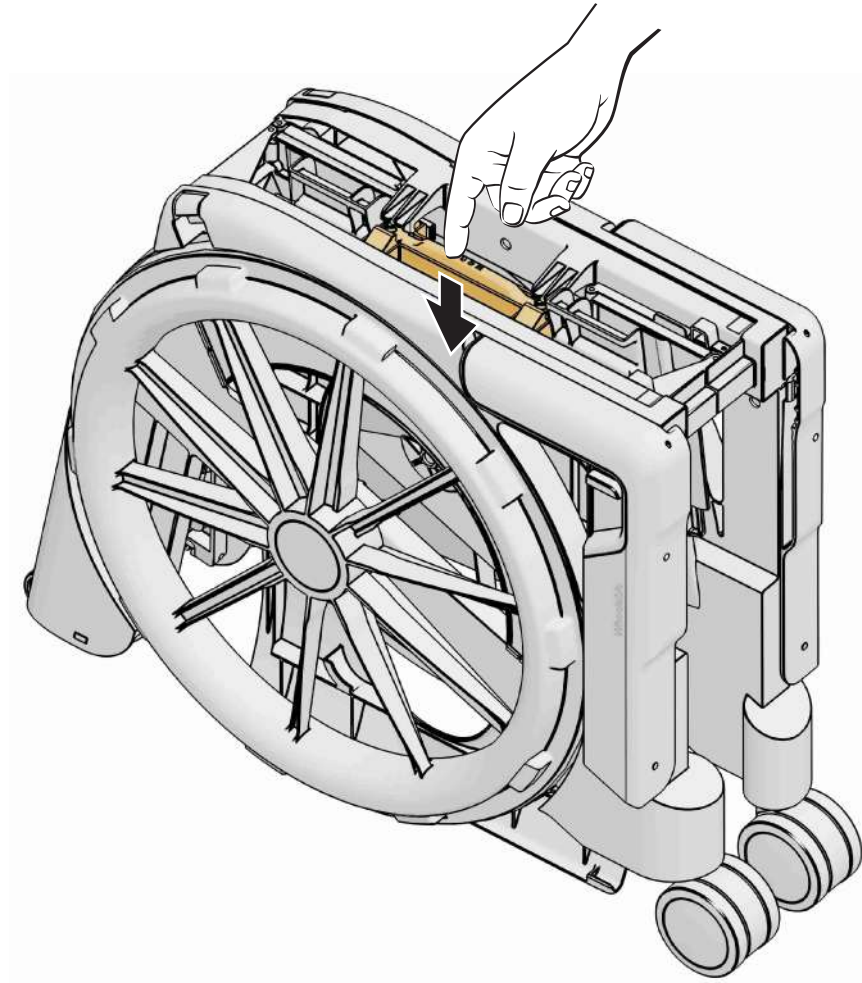
Be Spontaneous

Commode
&
Shower chair

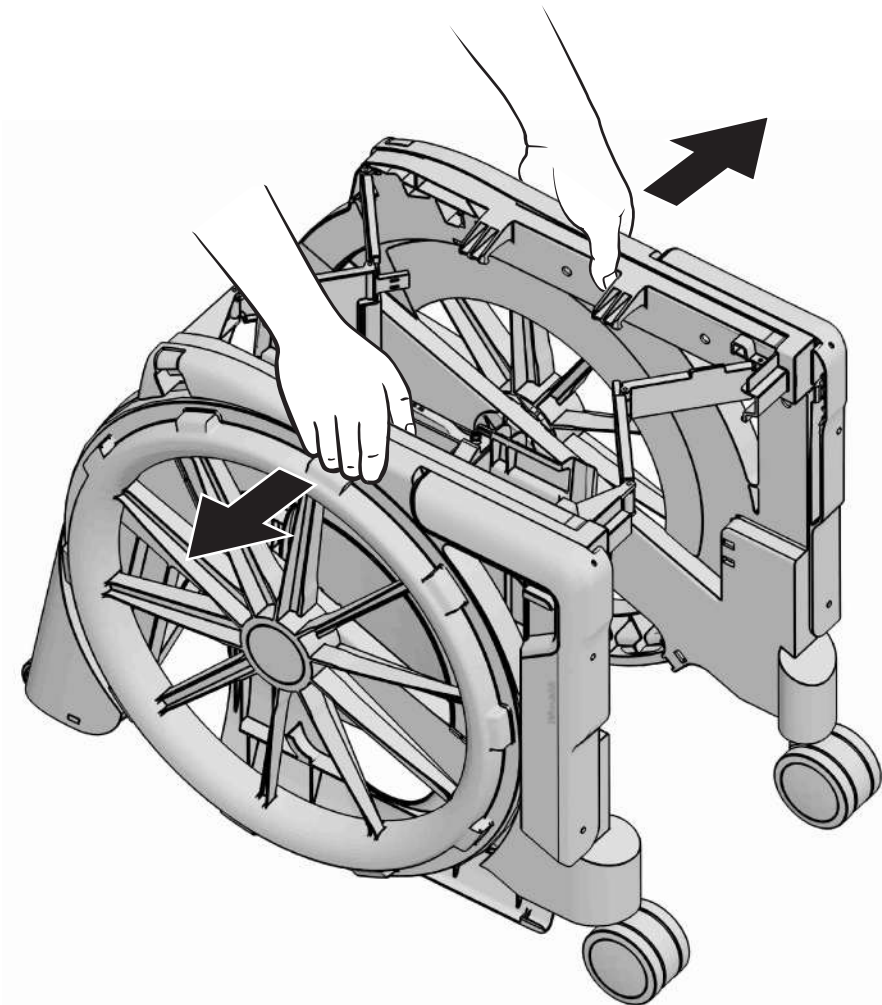


Assembly

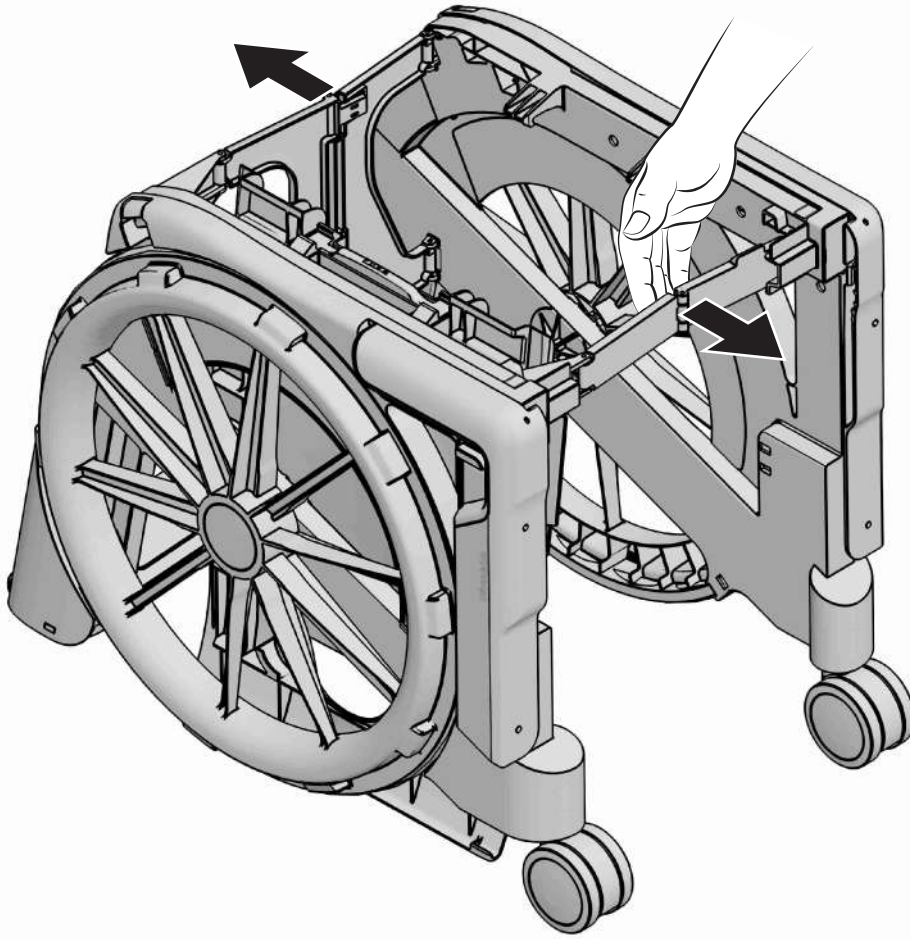
1



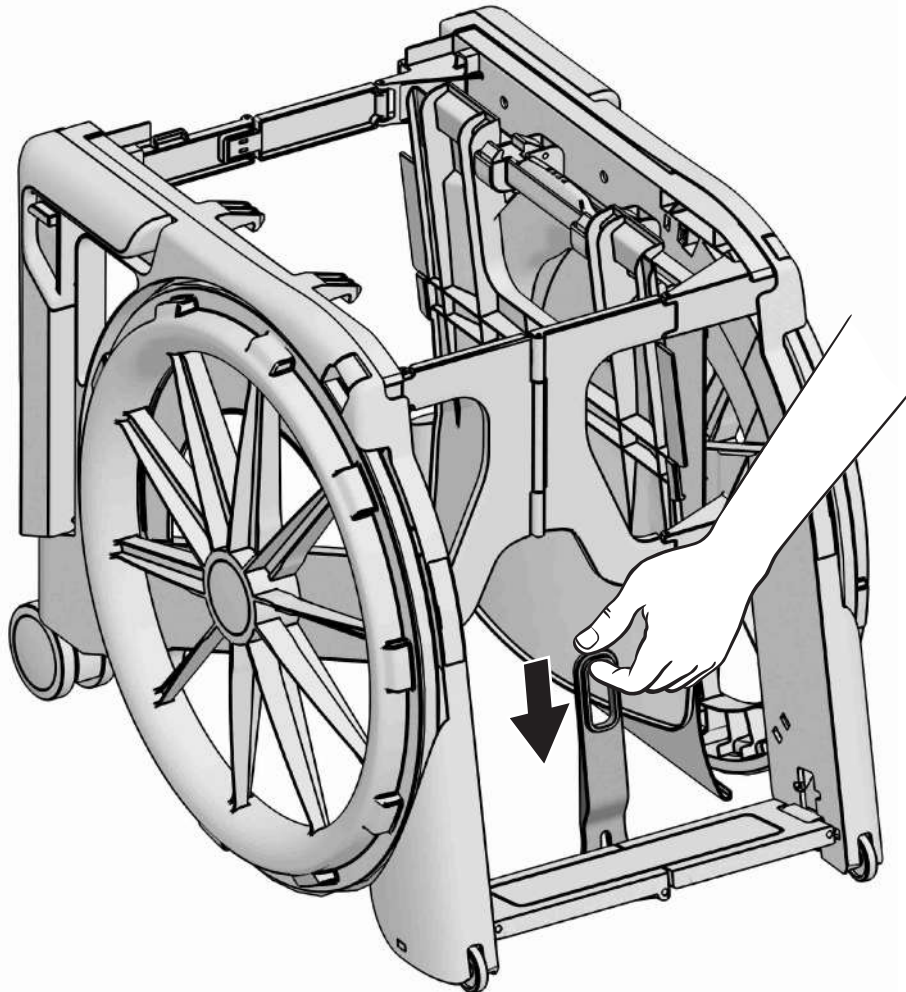
2



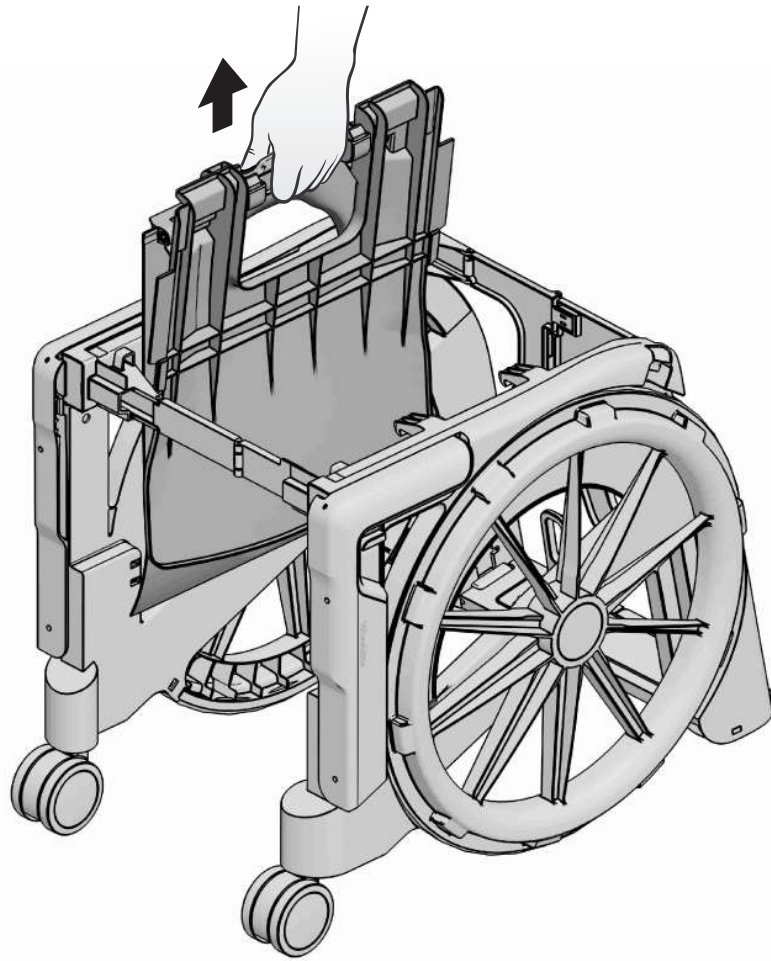
3



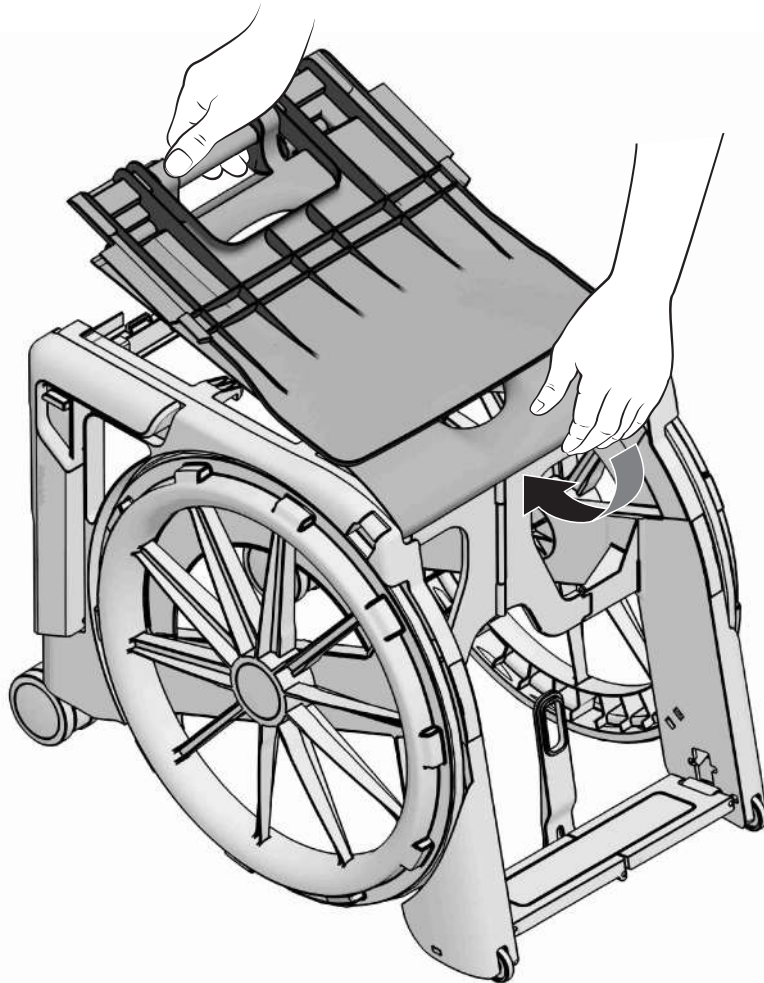
4

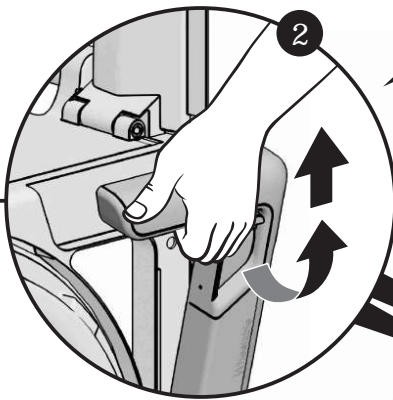
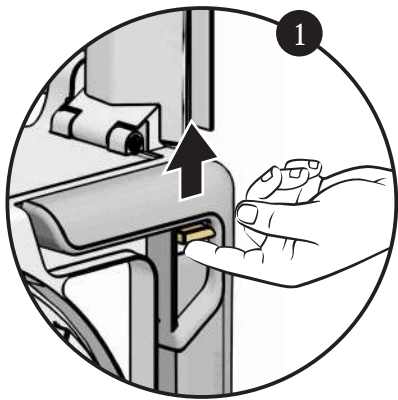
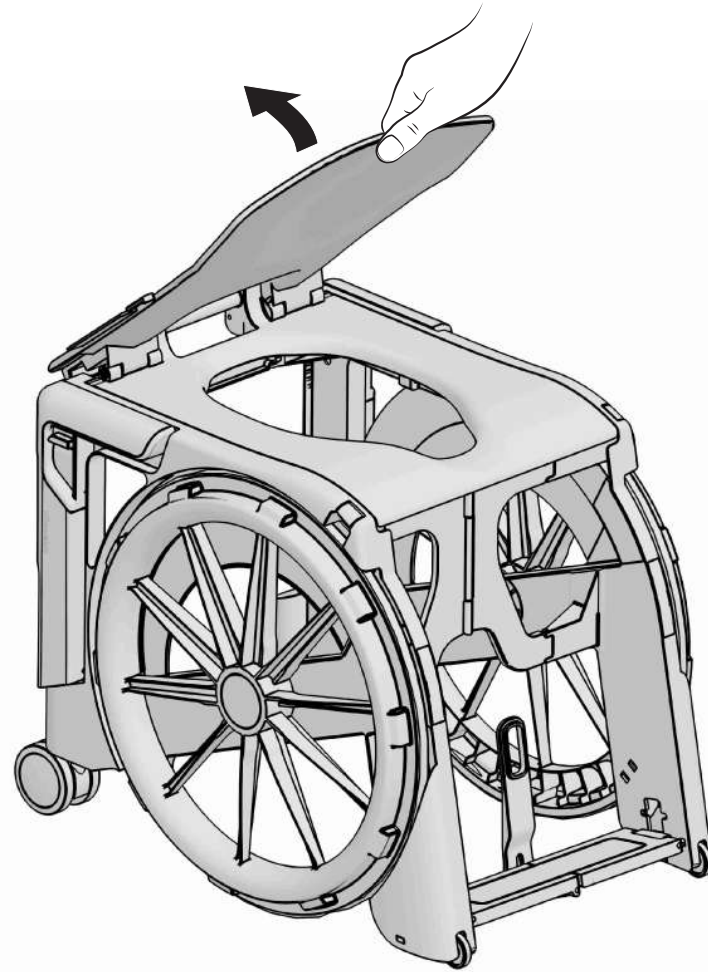


5

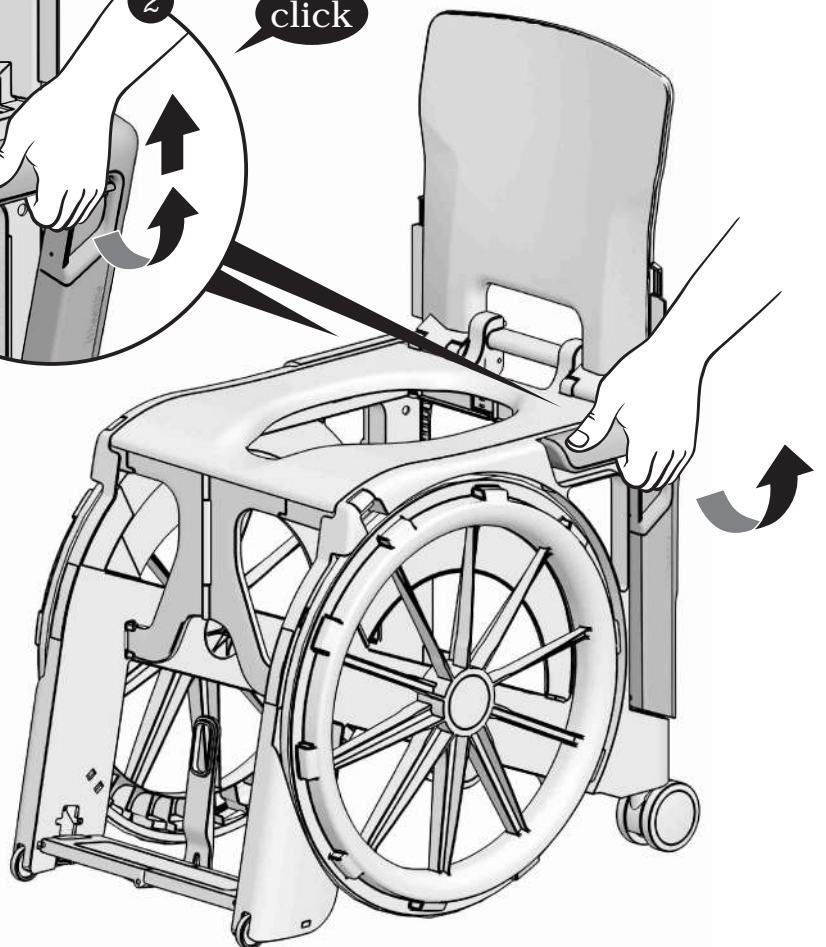


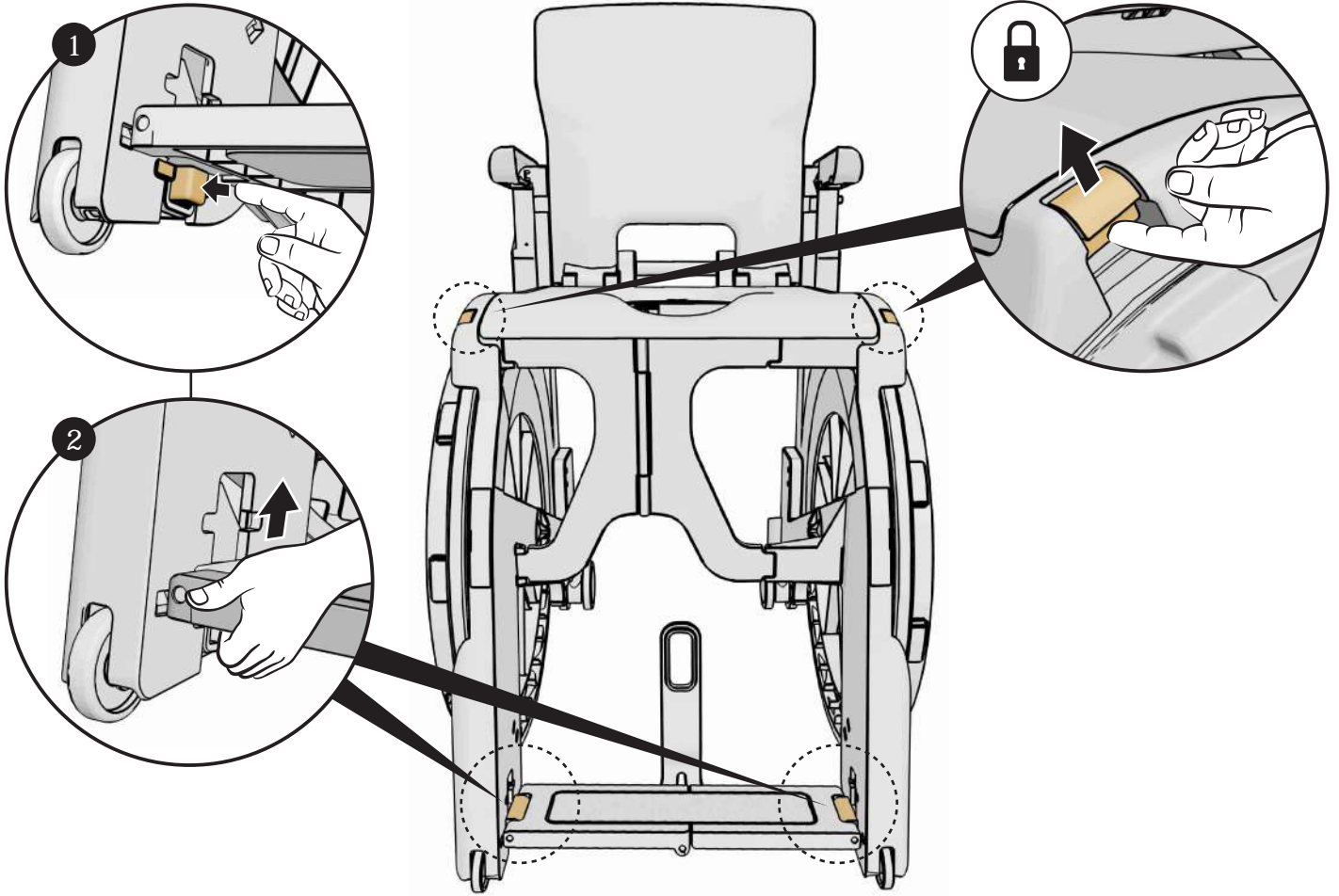
6



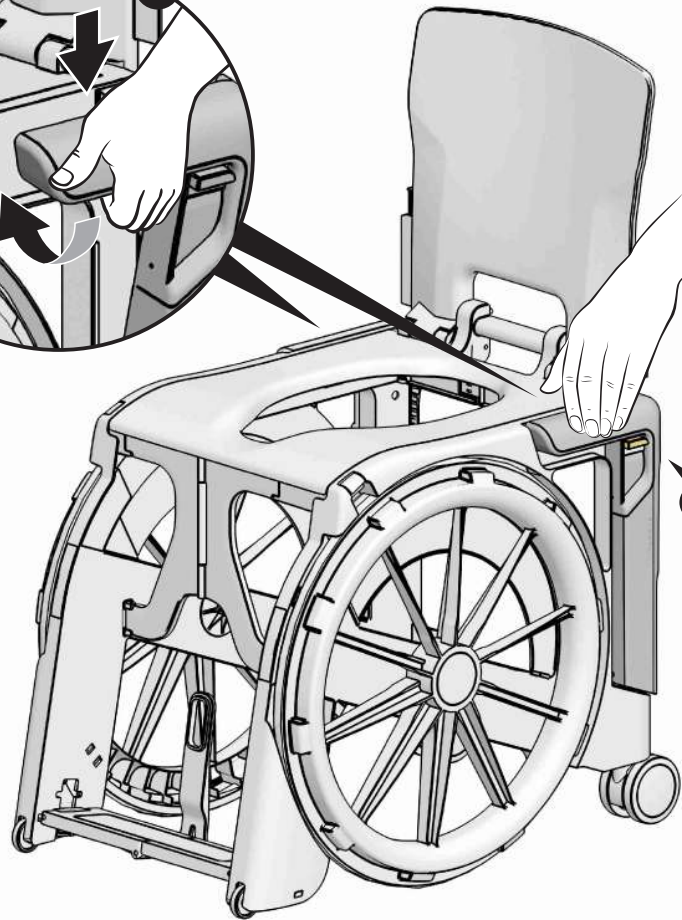


click

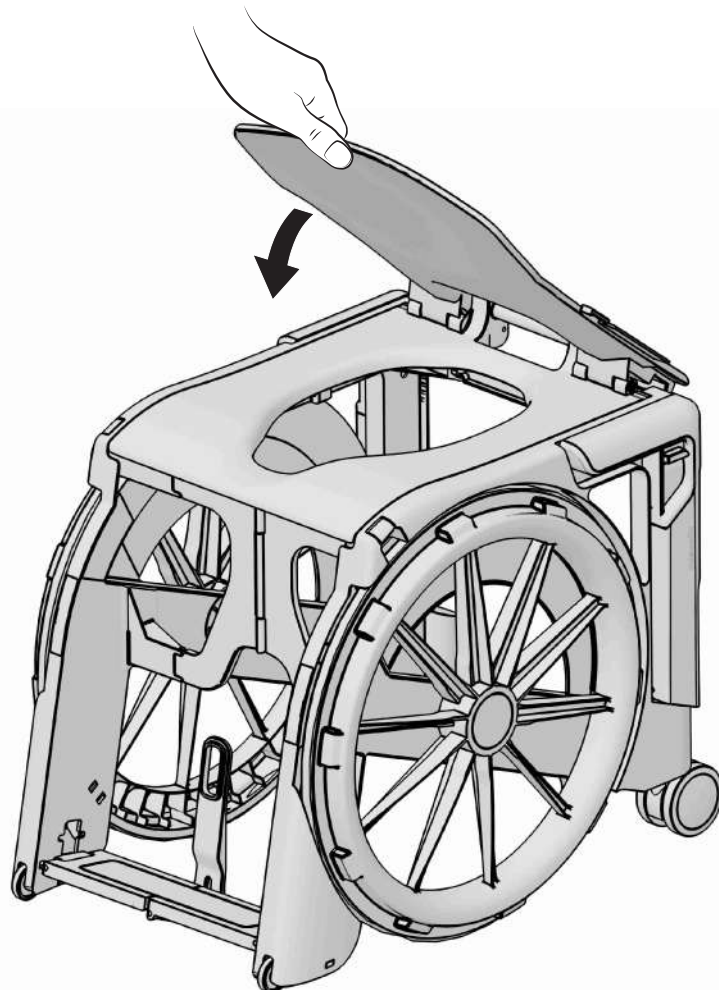




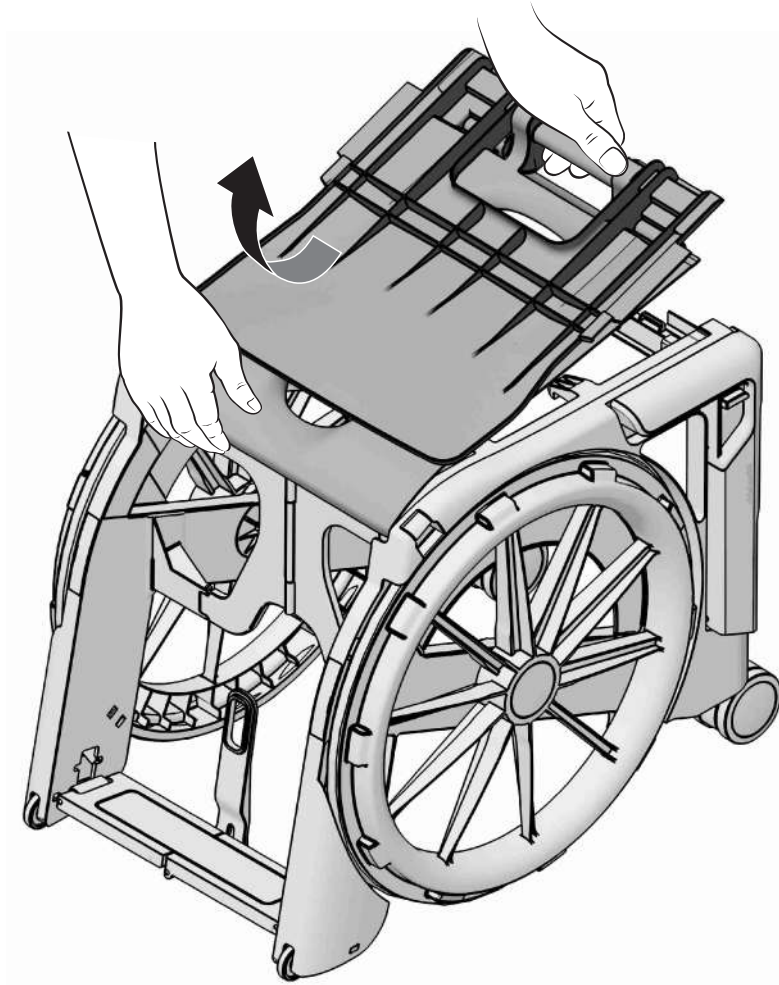
1



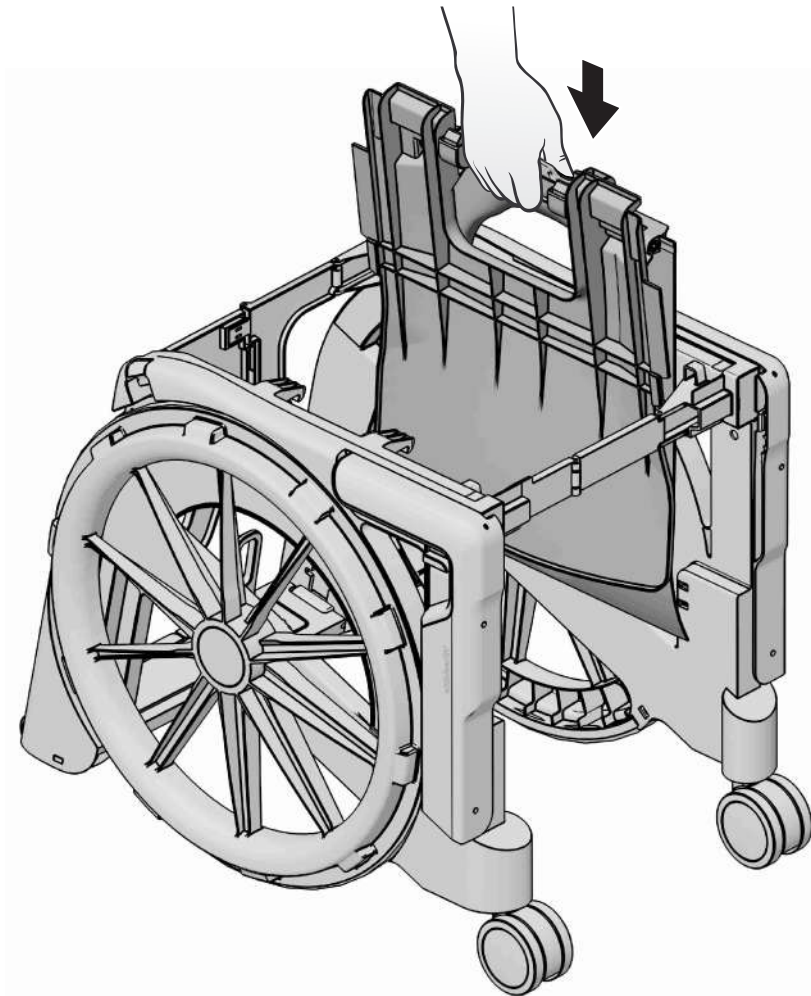
2



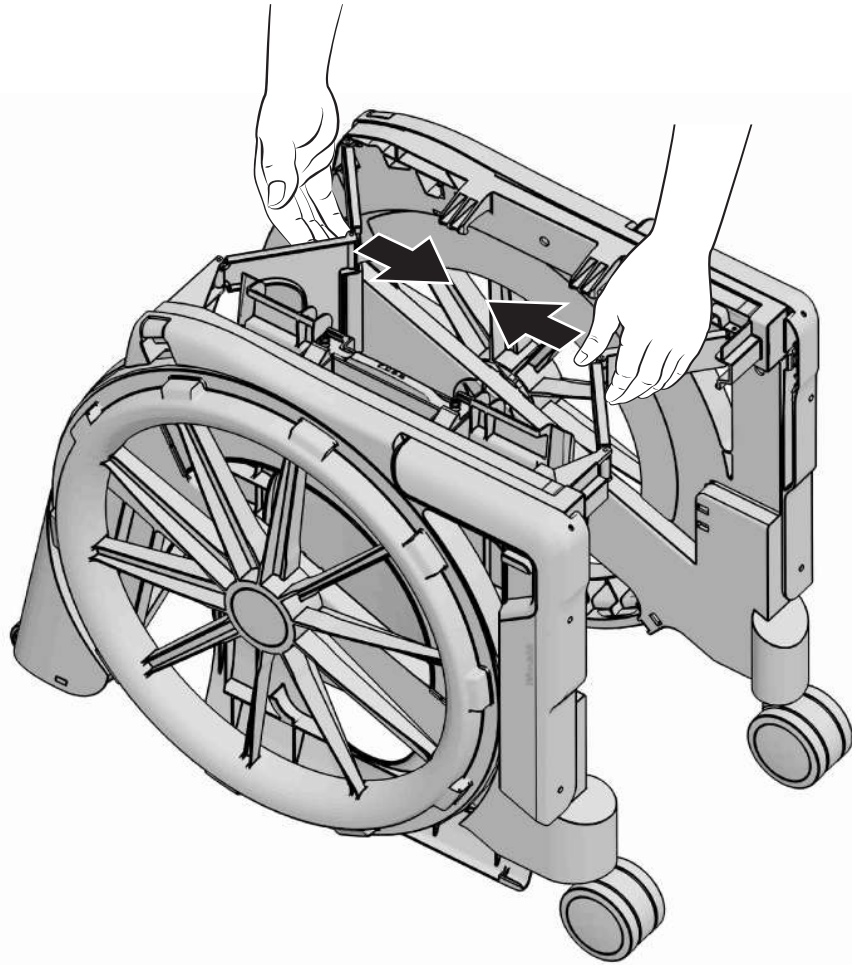
3



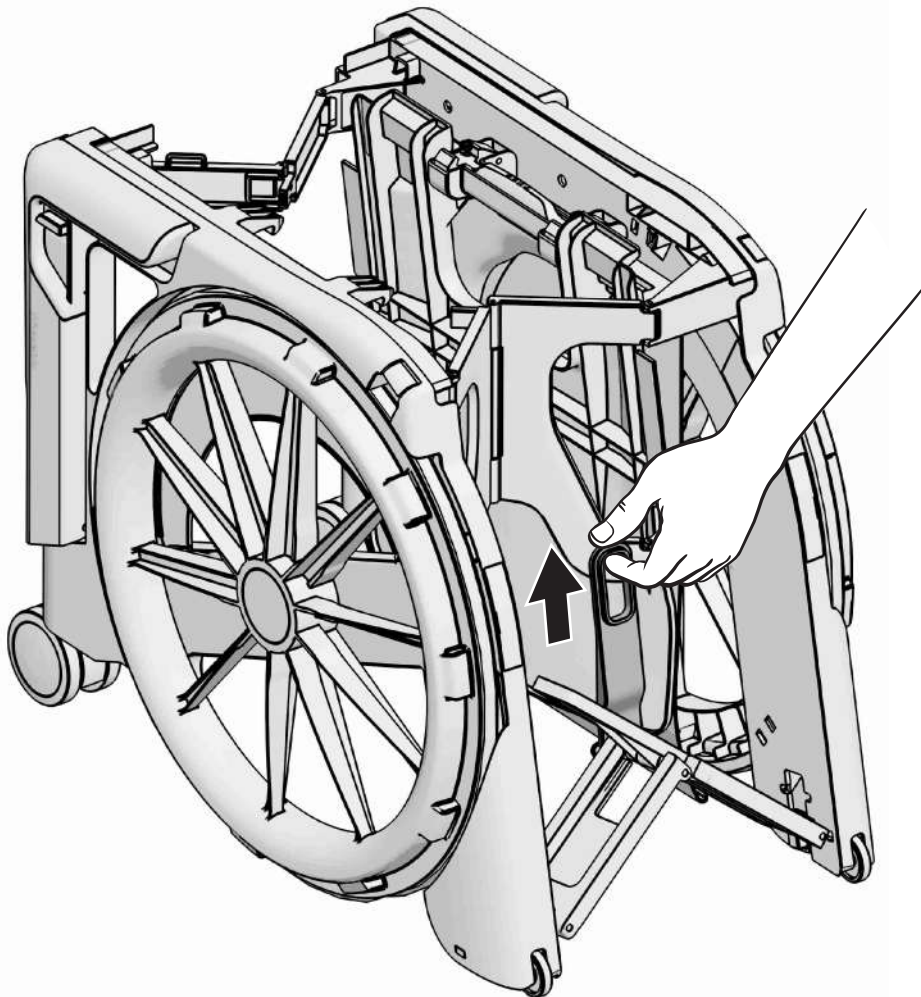
4



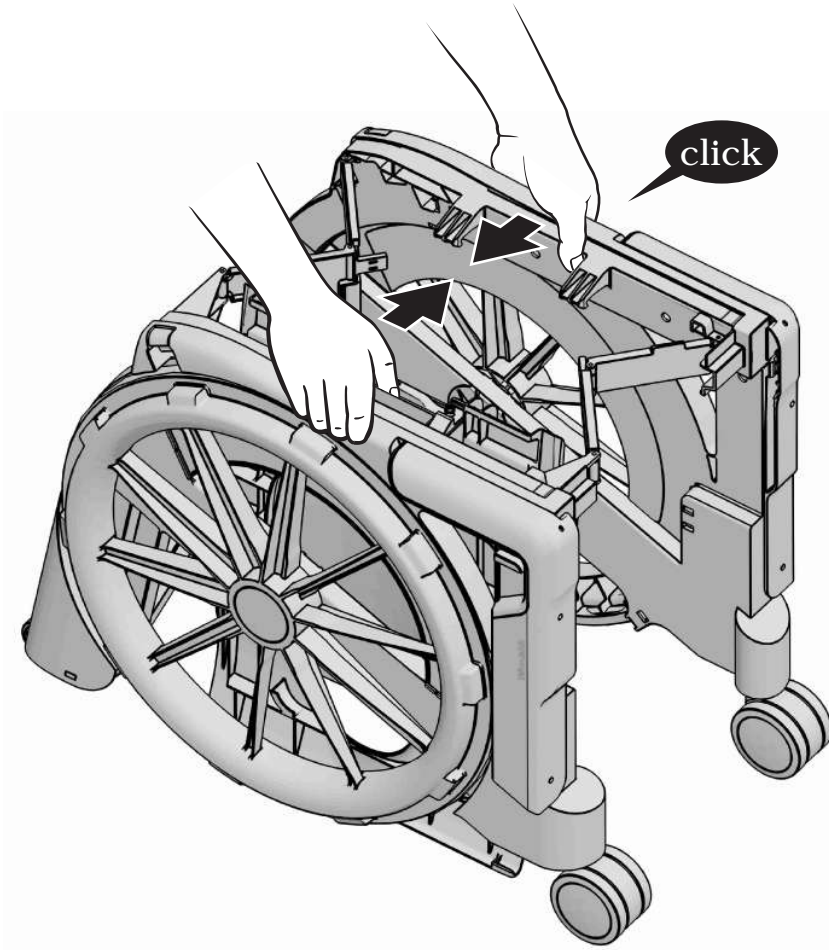
5



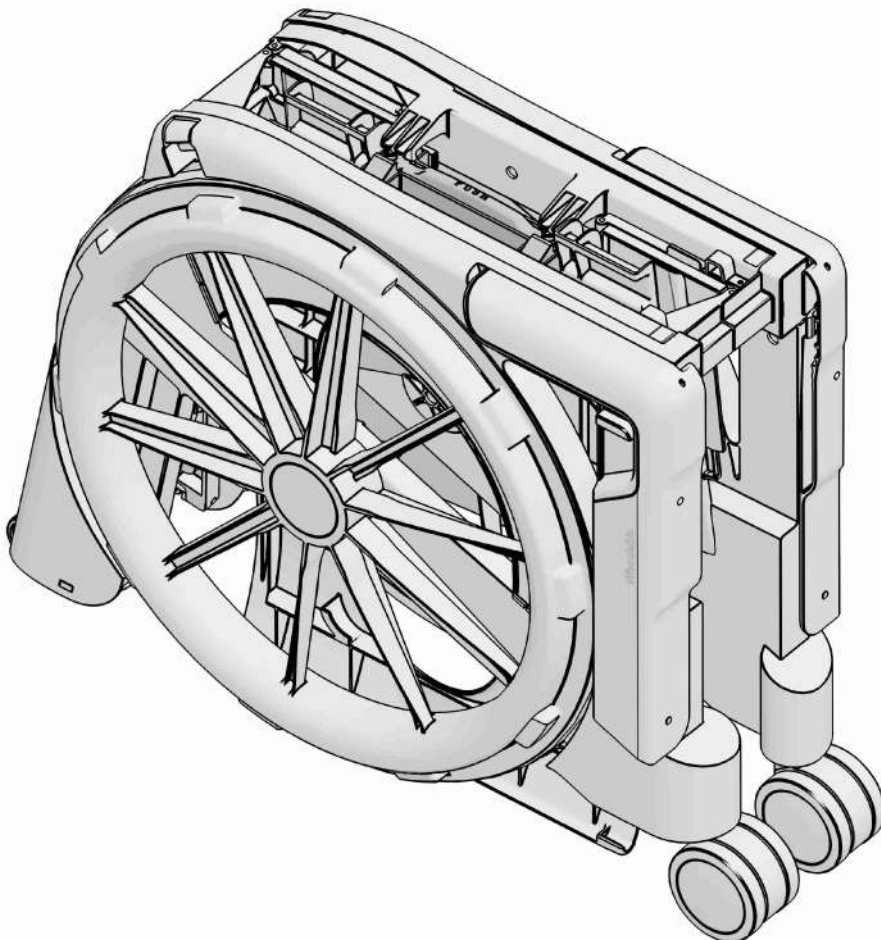
6



7



8





Special Products and Service

Contact Us

Units 5 and 6 Lower Vicarage
Road
Southampton
Hampshire
SO19 7RJ
T: 02380 420678
E: info@easycare systems.co.uk

www.easycare systems.co.uk

