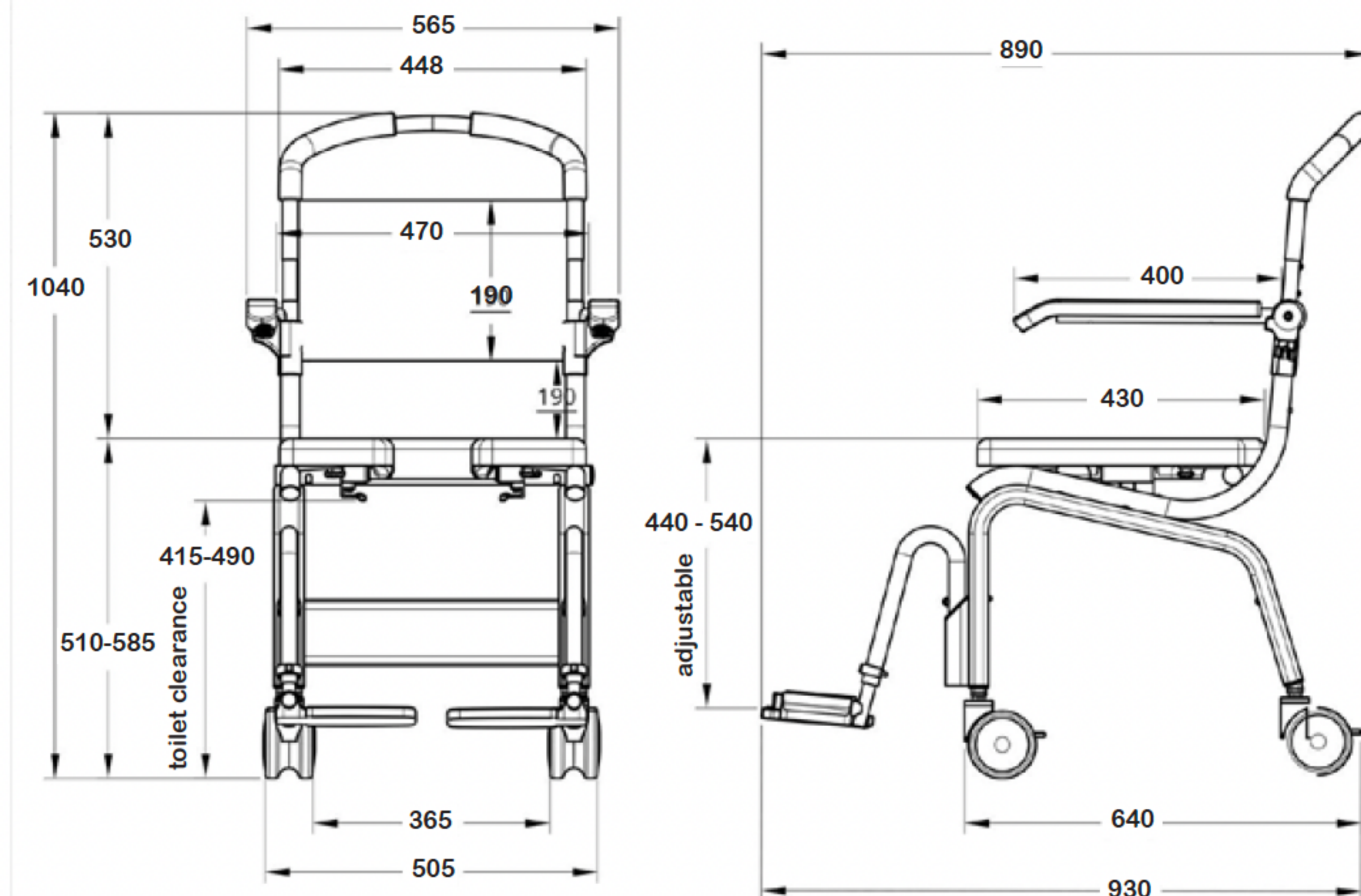


# SB6c

Dimensions = Millimetres

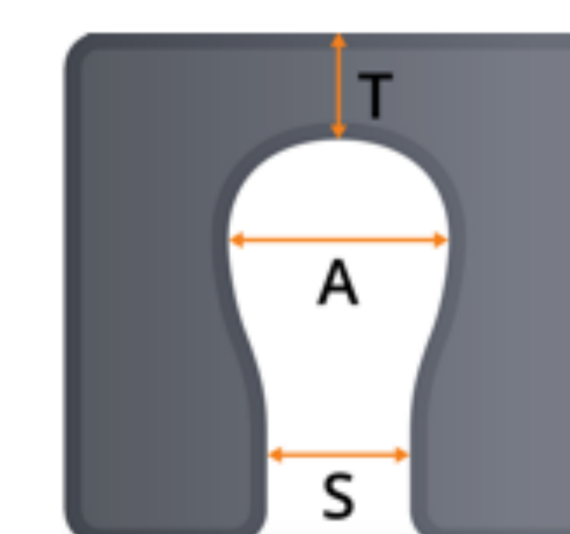
easyCare  
systems



## Product features:

- Weight capacity - 136kg
- Rolls over most standard toilets
- Low maintenance
- Arms - lockable / flip-back
- Height adjustable
- Footrests - removable and swing-away, height adjustable
- No rust aluminum frame (Grade 6061 T6)
- Stainless steel parts and hardware (Grade 304)
- Safety belts - lap or chest belts plus calf strap
- Caster Wheels - 100mm all locking
- Commode system
- Tool-free assembly

Bird's eye view



T = 95mm

A = 180mm

S = 120mm

## Accessory items

- Refer to the accessory pages or on our website

[www.easycare systems.co.uk](http://www.easycare systems.co.uk)